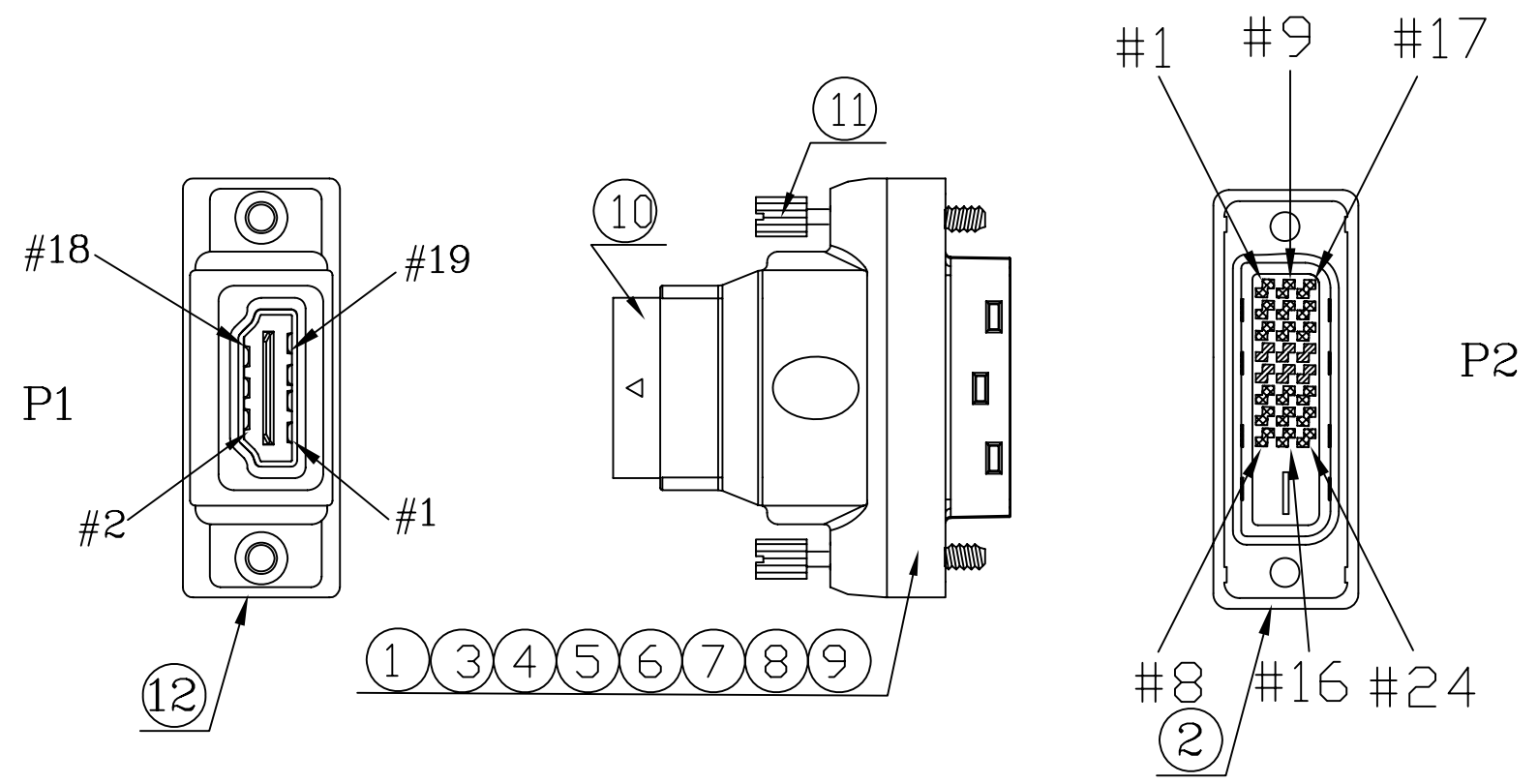


DESCRIPTION CONTROL			
REV	DESC	DATE	ECN NO


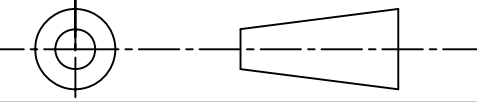


PIN ASSIGNMENT

P1	P2
1	2
3	1
2	3
4	10
6	9
5	11
7	18
9	17
8	19
10	23
12	24
11	22
15	6
16	7
17	15
19	16
18	14
S	S

*	390	CARTON:46*30*25CM	1/200	PCS
*	390	PE BAG:10"*12"*0.06MM	1/40	PCS
*	370	PE BAG:3.5"*3.5"*0.06MM	1	PCS
12	110640000065	HDMI A type Conn ,FEMALE(夾板式)	1	PCS
11	240010700332	SRW:I4.7*22.6MM<4#-40UNC>	2	PCS
10	220050000107	HDMI FEMALE HOOD(廣立)	1	PCS
9	120010000031	PVC-BK10/50	8.5	G
8	100500128003	JUMP-WIRE-BLACK-28#-1007	<3*20 *2>*1	MM
7	220	FOIL-CU:16MM	80.0*1	MM
6	220	HI TEAMP TAPE:W:19MM	70.0*1	MM
5	120020000001	PE-5321	3.5	G
4	230020000014	SOL-WIRE-FULL TIN-1.0	1.0	G
3	PDN0009A	PCB: DN0009	1	PCS
2	110361025011	DVI-24+KEY-M<BK>	1	PCS
1	100500128003	JUMP-WIRE-BLACK-28#-1007	<3*12 *2>*6	MM
NO	TYPE	DESCRIPTION	QTY	UNIT

NOTE:
1. DVI M 焊線前將中間一排針剪齊於另兩排一樣長。

OUTER MOLDING	GC.HDMI-DVI158		
INNER MOLDING	GC.HDMI-DVI157		
		SECCON INDÚSTRIA E COMÉRIO LTDA.	
		ITEM: MGHDMI000000113	REV R
DRAWN, BY: JOHN HE		SCALE: NONE	DATE: 2005-10-25
CHECKED, BY: JOHN HE		CUSTOMER: C505	PAGE: 1/1
APP'ED, BY: ZHUANG		CUSTOMER P/N:	
ALL DIMENSIONS IN mm			