

2.54 Pitch 7307 SERIES CONNECTOR



2.54 mm Pitch Wire-to-Board Connector for Ribbon Cable



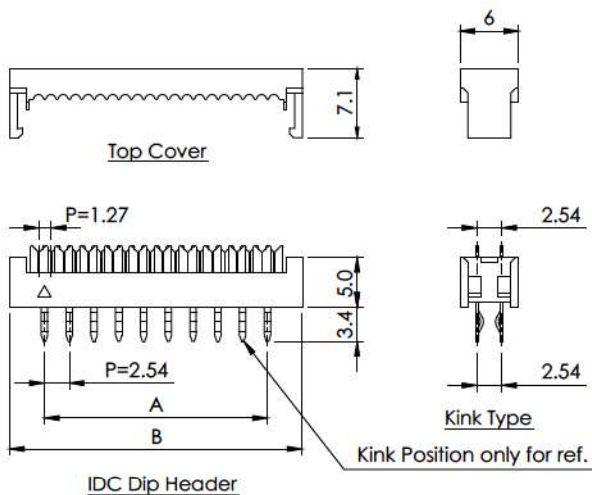
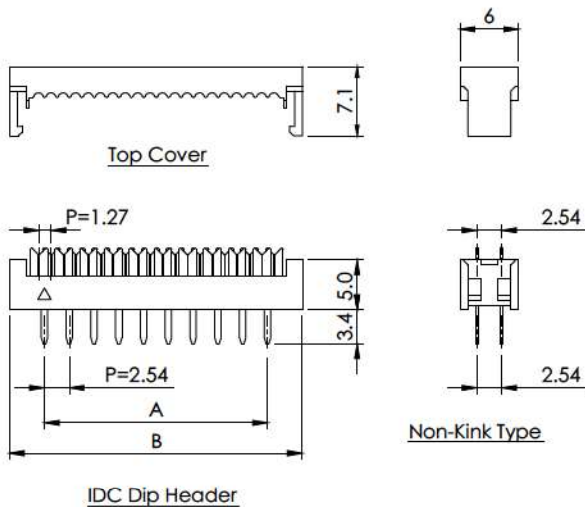
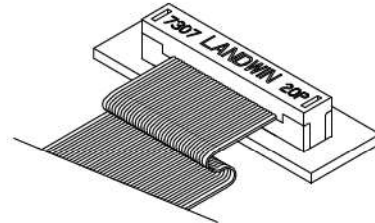
Specifications

- ◇ Current rating: 3A AC/DC Max.
- ◇ Voltage Range: 250V AC,DC
- ◇ Withstand Voltage: 500V AC/Minute
- ◇ Contact Resistance: 20 mΩ Max. before environment test
- ◇ Insulation Resistance: 1000 MΩ Min.
- ◇ Temperature Range: -40° C to 105° C

Reference

- ◇ Use with UL2651 2.54 Pitch AWG28 Flat Cable

7307P Ribbon Cable Connector IDC Transition Connector



Ordering Information

PIN Nos	Part No.		Dimension	
	Without KINK	With KINK	A	B
8	7307P08031	7307P08031-BKXX	7.62	15.22
10	7307P10031	7307P10031-BKXX	10.16	17.76
14	7307P14031	7307P14031-BKXX	15.24	22.84
16	7307P16031	7307P16031-BKXX	17.78	25.38
20	7307P20031	7307P20031-BKXX	22.86	30.46
24	7307P24031	7307P24031-BKXX	27.94	35.54
26	7307P26031	7307P26031-BKXX	30.48	38.08
30	7307P30031	7307P30031-BKXX	35.56	43.16
34	7307P34031	7307P34031-BKXX	40.64	48.24
40	7307P40031	7307P40031-BKXX	48.26	55.86
50	7307P50031	7307P50031-BKXX	60.96	68.56
60	7307P60031	7307P60031-BKXX	73.66	81.26
64	7307P64031	7307P64031-BKXX	78.74	86.34

Material

Part	Material / Finish
Base	Glass-filled PBT 94V-0, Black
Contact	Brass, gold flash-plated

※ PART NUMBER ASSIGNMENT:

ex. 7307P XX 03 X (Without KINK)

ex. 7307P XX 03 X - B K X*X* (With KINK)

XX... Circuit Nos (PIN Numbers)

X... Plating Selection: 1... Gold flash, T... Tin, V... Matte Tin

B...Black color, H...Gray, V...Lavender color

K... Kink Type

X*X*... Series No. of Kink Configuration on required pin position

※ P/N for Halogen-Free replacement:

ex. 7307P 40 03 X - B NH (Without KINK)

ex. 7307P 40 03 X - B K X*X* - NH (With KINK)

40... Circuit no. B... Black Color NH... Halogen-Free

※ Please contact sales for Special P/N of Kink Configuration.

P.C. Board Layout / Assembly Layout

