

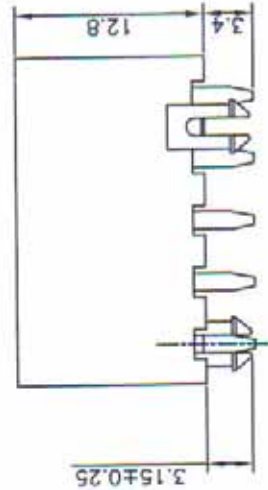
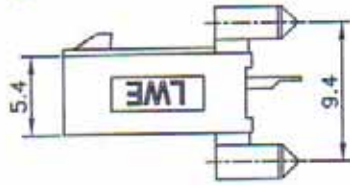
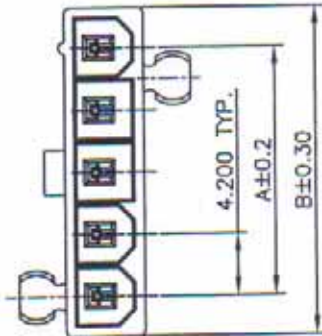
ORDER INFORMATION:

4201PA X 1 0 T

CIRCUITS NO. ——— PLATING: T-TIN-PLATED

TYPE NO. ——— MATERIAL: 0-NYLON 66 94V-0

1=CLOSED TYPE (無蓋水孔)



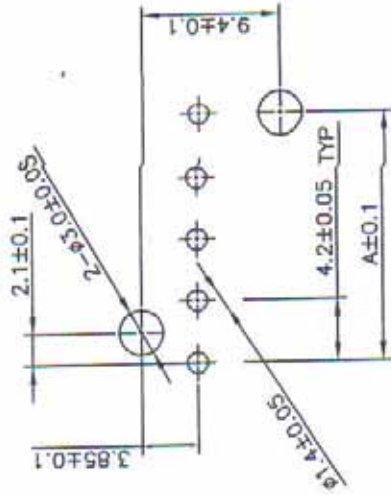
DIMENSIONS:

CIRCUITS	DIM. A	DIM. B
2	4.2	9.6
3	8.4	13.8
4	12.6	18.0
5	16.8	22.2

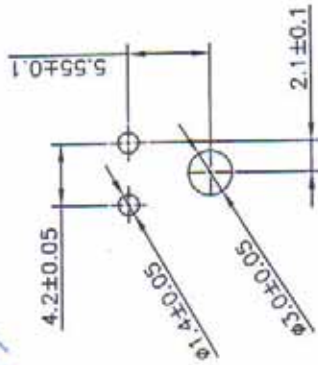
MATERIAL:

BASE: PA 66 94V-0 (NATURAL)

PIN : BRASS TIN-PLATED



P.C. BOARD LAYOUT (3~5 PIN)



P.C. BOARD LAYOUT (2 PIN)

RoHS Compliant

Customer Drawing



MATERIAL: SEE NOTES	SCALE: FREE	SHEET: 1 OF 1
FINISH(COLOR): SEE NOTES	DRAWN BY: G. S. S. 06/FEB/07	UNIT: mm
FILE NAME:	APPROVED BY: S. S. S. 06/FEB/07	REV: A
	GENERAL TOLERANCE: (CQ) 4201PAX10T	
	ANGLE: DIM: ±0.5	TITLE:
A NEW RELEASE	±.X ±0.25	-4.2mm PITCH IN-LINE
REV. REVISION RECORD ECN NO. DATE	±.XX ±0.12	STRAIGHT HEADER
	±.XXX ±0.06	

LANDWIN 聯盈電子股份有限公司
LANDWIN ELECTRONIC CORP.

THIS DRAWING CONTAINS INFORMATION THAT IS PROPRIETARY TO LANDWIN ELECTRONIC CORP. SHOULD NOT BE USED WITHOUT WRITTEN PERMISSION.