

DESCRIPTION OF ORDER NO.:

4200M 02 A X - X F

CIRCUITS NO. _____

TYPE NO. _____

A= W/O FLANGE

MATERIAL NO. _____

0= PA66 94V-0 PLASTICS

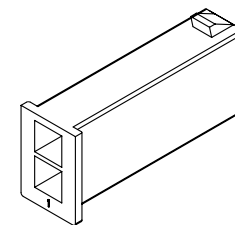
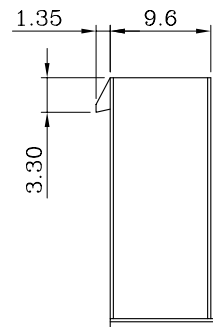
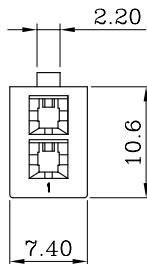
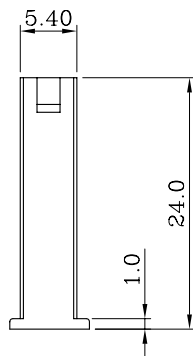
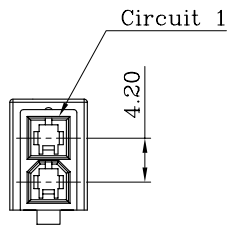
1= PA66-GF 94V-0 PLASTICS

COLOR NO. _____

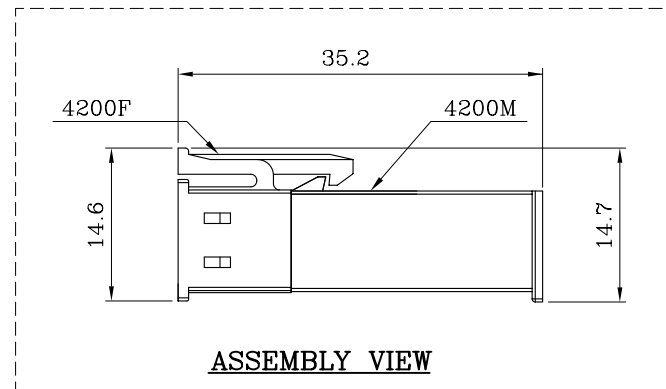
S= NATURAL COLOR, B= BLACK

SERIES NO. _____

F= Without TPA



ISOMETRIC VIEW



ASSEMBLY VIEW

NOTES:

- MATERIAL:
 BASE (MATERIAL NO.=0): PA66 94V-0
 BASE (MATERIAL NO.=1): PA66-GF 94V-0
- USE WITH 4203TM SERIES CRIMP TERMINAL.
- MATES WITH 4200F0201-XA SERIES PLUG HOUSING.
- REPLACEMENT OF HALOGEN-FREE PRODUCT: (PA66-GF PLASTICS)
 LEGEND: 4200M02A1-BF-NH (B=BLACK COLOR)
- INFORMATION IN THIS DRAWING IS NOT CONSIDERED AS FINAL.

RoHS Compliant

Customer Drawing

MATERIAL: SEE NOTES

FINISH(COLOR): SEE NOTES



聯盈電子股份有限公司
 LANDWIN ELECTRONIC CORP.

GENERAL TOLERANCE:	PROJECTION	SCALE	UNIT	SHEET NO.	REV
x.x ±0.25	FREE	R.G.	MM	1 / 1	A1
x.xx ±0.12	DRAWN	R.G.	DRAW NO.		
x.xxx ±0.08	CHECKED	J.L.Lin	(AQ) 4200M02AX-XF		
A1 NEW RELEASE	APPD	A.H.	TITLE:		
REV. REVISION RECORD	DATE	01-JUL-15'	4.20 PITCH DUAL-ROW 2P RECEPTACLE HOUSING		