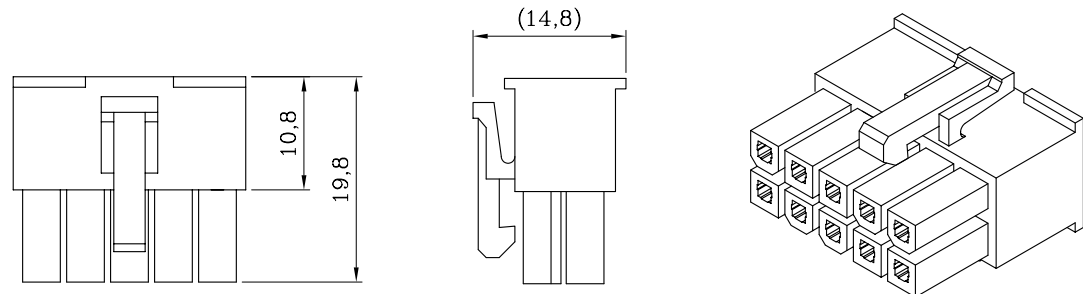
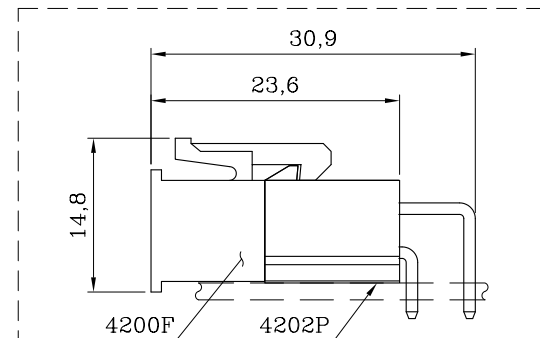
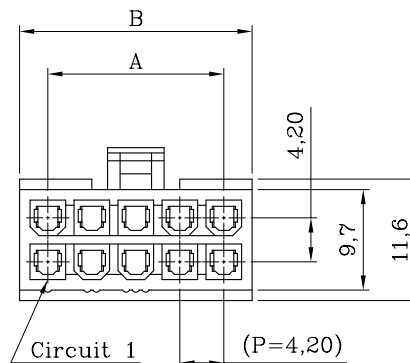


ORDER INFORMATION AND DIMENSION:

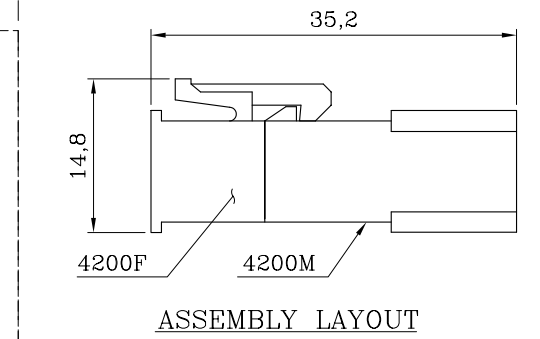
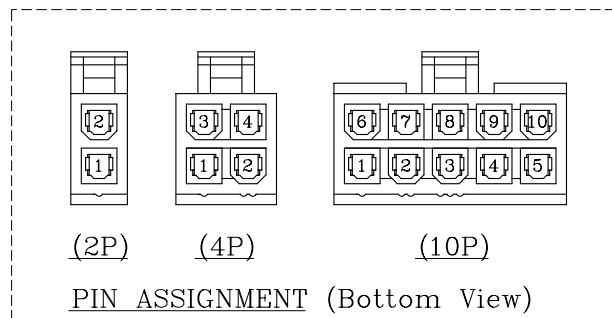
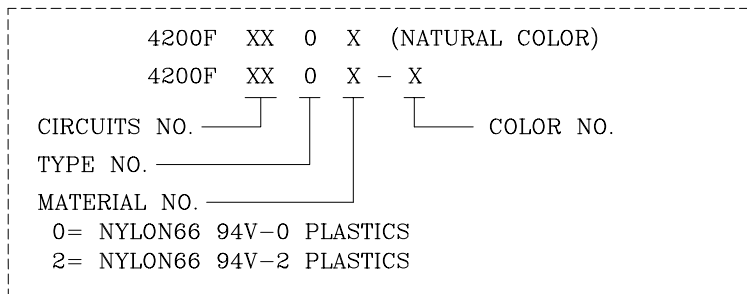
Circuits	Part No.		Dimension	
	NYLON66 94V-2 WHITE COLOR	NYLON66 94V-0 BLACK COLOR	A	B
2	4200F02 02	4200F02 00-B	n/a	5.4
4	4200F04 02	4200F04 00-B	4.2	9.6
6	4200F06 02	4200F06 00-B	8.4	13.8
8	4200F08 02	4200F08 00-B	12.6	18.0
10	4200F10 02	4200F10 00-B	16.8	22.2
12	4200F12 02	4200F12 00-B	21.0	26.4
14	4200F14 02	4200F14 00-B	25.2	30.6
16	4200F16 02	4200F16 00-B	29.4	34.8
18	4200F18 02	4200F18 00-B	33.6	39.0
20	4200F20 02	4200F20 00-B	37.8	43.2
22	4200F22 02	4200F22 00-B	42.0	47.4
24	4200F24 02	4200F24 00-B	46.2	51.6
26	4200F26 02	4200F26 00-B	50.4	55.8
28	4200F28 02	4200F28 00-B	54.6	60.0



ISOMETRIC VIEW



DESCRIPTION OF ORDER NO.:



NOTES:

- MATERIAL:
BASE: NYLON66 94V-0/94V-2, WHITE (NATURAL COLOR)
- USE WITH 4203TF SERIES CRIMP TERMINAL.
- MATES WITH 4201P, 4202P DUAL-ROW SERIES HEADER.
- MATES WITH 4200M DUAL-ROW SERIES RECEPTACLE HOUSING.
- DESCRIPTION OF COLOR NO.:
LEGEND: 4200FXXOX-X (-X: COLOR CODE)
B=BLACK, C=COCONUT BROWN, E=BLUE, H=GRAY,
I=BRICK RED, M=GREEN, R=RED, W=BROWN
- INFORMATION IN THIS DRAWING IS NOT CONSIDERED AS FINAL.

RoHS **REACH** Sales Drawing
RoHS Compliant REACH Compliant

MATERIAL: SEE NOTES		LANDWIN 聯盈電子股份有限公司 LANDWIN ELECTRONIC CORP.				
FINISH(COLOR): SEE NOTES						
GENERAL TOLERANCE:	PROJECTION	SCALE	UNIT	SHEET NO.	REV	
		FREE	MM	1 / 1	W1	
	DRAWN	R.G.	DRAW NO.			
	CHECKED	J.L.Lin	(AQ) 4200FXXOX(-X)			
	APPD	H.Y.Lin	TITLE:			
W1	NEW RELEASE	31-DEC-14'	ANGULAR ±3°	DATE 31-DEC-14'	4.20 PITCH DUAL-ROW PLUG HOUSING	
REV.	REVISION RECORD	DATE				