

4.2 Pitch 4200 SERIES CONNECTOR



4.2 mm Pitch Wire-to-Board, Wire-to-Wire Connector

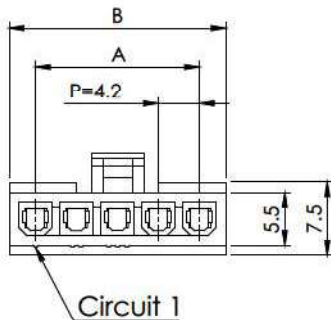
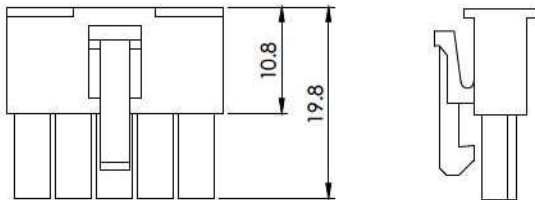


Specifications

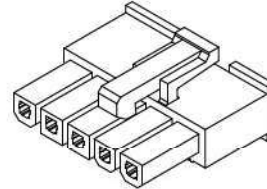
- ◇ Current rating: 8A AC/DC Max.
- ◇ Voltage Range: 600V AC,DC
- ◇ Withstand Voltage: 1500V AC/Minute
- ◇ Contact Resistance: 10 mΩ Max. before environment test
- ◇ Insulation Resistance: 1000 MΩ Min.
- ◇ Temperature Range: -40° C to 105° C

Reference

- ◇ Mates with 4201PA, 4202PA Series Single-row Header
- ◇ Mates with 4200MA Series Receptacle Housing
- ◇ Use with 4203TF Crimp Terminal
- ◇ Certification: UL, CSA, TUV
- ◇ Applicable wire gauge: AWG 16 - 28



4200FA Plug Housing, Single-Row



Ordering Information

Circuits	Part No.		Dimension	
	UL 94V-0	UL 94V-2	A	B
2	4200FA2 00	4200FA2 02	4.2	9.8
3	4200FA3 00	4200FA3 02	8.4	14.0
4	4200FA4 00	4200FA4 02	12.6	18.2
5	4200FA5 00	4200FA5 02	16.8	22.4

Material

Part	Material / Finish
Housing	Nylon 66 94V-0, white (natural color), or Nylon 66 94V-2, white (natural color)

※ Color Identification: the following alphabet shall be put.

ex. 4200FA 4 0 X* (natural color)

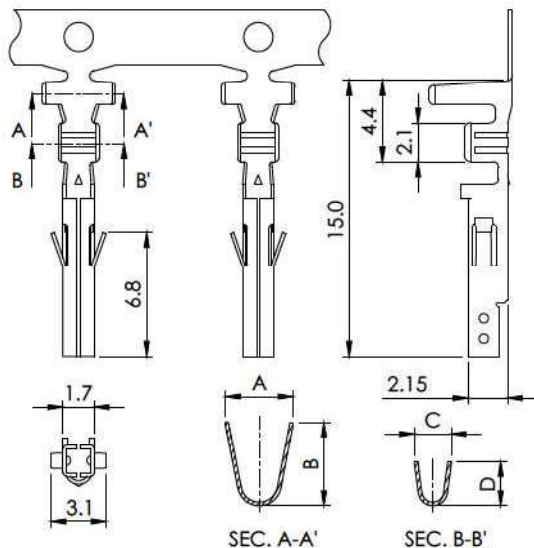
ex. 4200FA 4 0 X* - B

4... Circuit no. B... Black, R... Red color

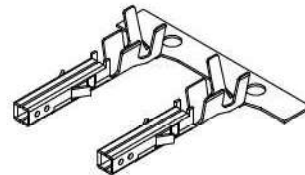
X*... Plastics Material no.: 0... Nylon 66 94V-0, 2... Nylon 66 94V-2

Reference

- ◇ Use with 4200FA, 4200F Plug Housing



4203TF Crimp Terminal



Ordering Information

Part No.	Applicable Wire		Q'ty / Reel
	AWG #	Insulation O.D. mm	
4203TF11R	16	2.9 Max.	5,000
4203TF21R	18 - 24	2.7 Max.	5,000
4203TF31R	22 - 28	2.2 Max.	5,000

Part No.	Material	A	B	C	D
4203TF11R	Phosphor bronze	3.8	4.2	2.3	2.9
4203TF21R	Tin-plated	3.8	4.2	2.0	2.3
4203TF31R		2.3	2.3	1.65	1.8

4.2 Pitch 4200 SERIES CONNECTOR



4.2 mm Pitch Wire-to-Board, Wire-to-Wire Connector



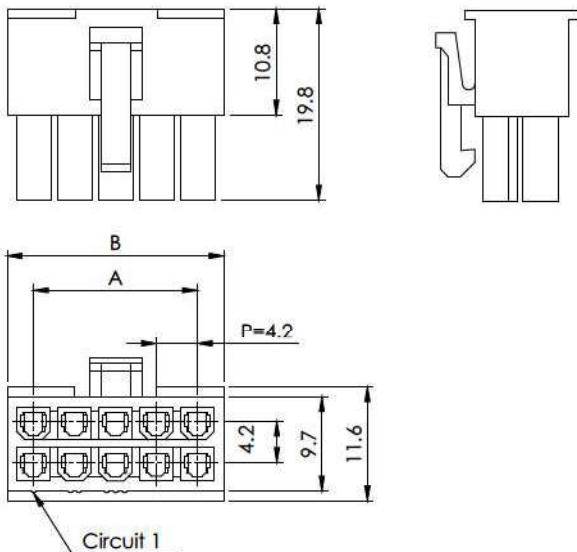
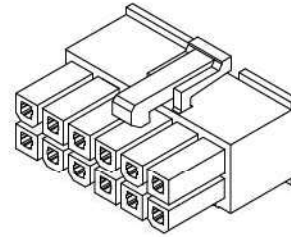
Specifications

- ◇ Current rating: 8A AC/DC Max.
- ◇ Voltage Range: 600V AC,DC
- ◇ Withstand Voltage: 1500V AC/Minute
- ◇ Contact Resistance: 10 mΩ Max. before environment test
- ◇ Insulation Resistance: 1000 MΩ Min.
- ◇ Temperature Range: -40° C to 105° C

Reference

- ◇ Mates with 4201P, 4202P Series Dual-row Header
- ◇ Mates with 4200M Series Receptacle Housing
- ◇ Use with 4203TF Crimp Terminal
- ◇ Certification: UL, CSA, TUV
- ◇ Applicable wire gauge: AWG 16 - 28

4200F Plug Housing, Dual-Row



Ordering Information

Circuits	Part No.		Dimension	
	UL 94V-0	UL 94V-2	A	B
2	4200F02 00	4200F02 02	n/a	5.4
4	4200F04 00	4200F04 02	4.2	9.6
6	4200F06 00	4200F06 02	8.4	13.8
8	4200F08 00	4200F08 02	12.6	18.0
10	4200F10 00	4200F10 02	16.8	22.2
12	4200F12 00	4200F12 02	21.0	26.4
14	4200F14 00	4200F14 02	25.2	30.6
16	4200F16 00	4200F16 02	29.4	34.8
18	4200F18 00	4200F18 02	33.6	39.0
20	4200F20 00	4200F20 02	37.8	43.2
22	4200F22 00	4200F22 02	42.0	47.4
24	4200F24 00	4200F24 02	46.2	51.6
26	4200F26 00	4200F26 02	50.4	55.8
28	4200F28 00	4200F28 02	54.6	60.0

Material

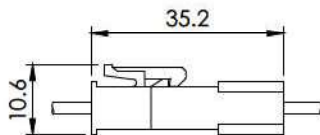
Part	Material / Finish
Housing	Nylon 66 94V-0, white (natural color), or Nylon 66 94V-2, white (natural color)

※ Color Identification: the following alphabet shall be put,
 ex. 4200F 14 0 X* (natural color)
 ex. 4200F 14 0 X* - B
 14... Circuit no. B... Black, R... Red color
 X*... Plastics Material no.: 0... Nylon 66 94V-0, 2... Nylon 66 94V-2

Panel Layout / Assembly Layout

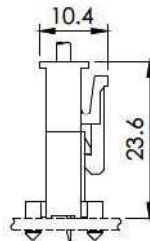
Wire-to-Wire Connection

Single-Row

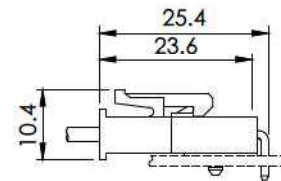


Wire-to-Board Connection (Single-Row)

Straight Type

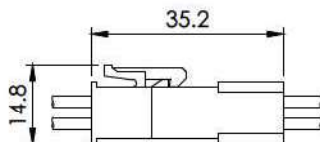


Right-Angle Type



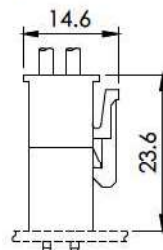
Wire-to-Wire Connection

Dual-Row

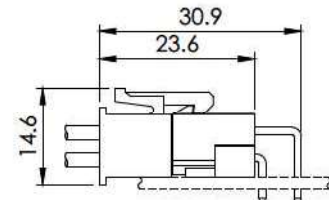


Wire-to-Board Connection (Dual-Row)

Straight Type



Right-Angle Type



4.2 Pitch 4200 SERIES CONNECTOR



4.2 mm Pitch Wire-to-Wire Connector



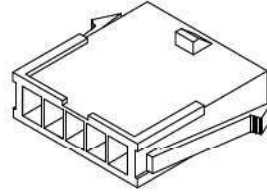
Specifications

- ◇ Current rating: 8A AC/DC Max.
- ◇ Voltage Range: 600V AC,DC
- ◇ Withstand Voltage: 1500V AC/Minute
- ◇ Contact Resistance: 10 mΩ Max. before environment test
- ◇ Insulation Resistance: 1000 MΩ Min.
- ◇ Temperature Range: -40° C to 105° C

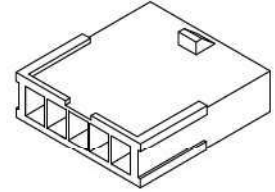
Reference

- ◇ Mates with 4200FA Plug Housing, Single-Row
- ◇ Use with 4203TM Pin-contact Crimp Terminal
- ◇ Certification: CSA, TUV
- ◇ Applicable wire gauge: AWG 16 - 28

4200MA Receptacle Housing Single-Row



Panel-Mount Series



W/O Flange Series

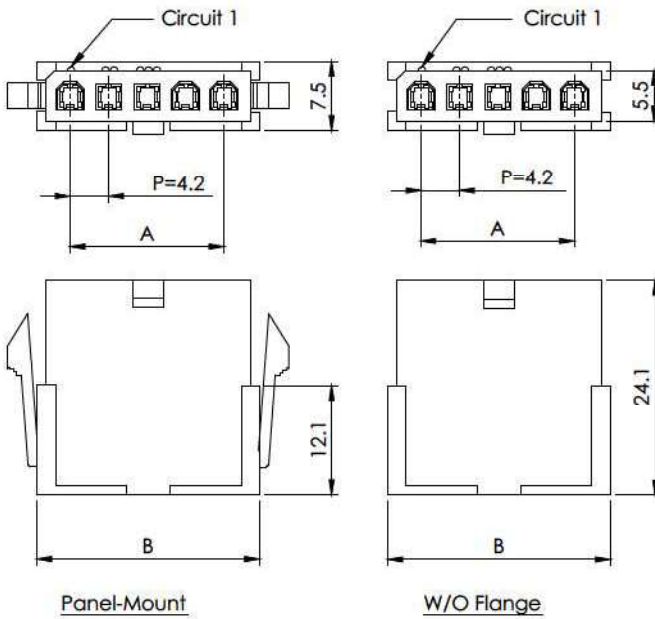
Ordering Information

Circuits	Part No.		Dimension	
	Panel-Mount	W/O Flange	A	B
2	4200MA202	4200MA2A2	4.2	9.7
3	4200MA302	4200MA3A2	8.4	13.9
4	4200MA402	4200MA4A2	12.6	18.1
5	4200MA502	4200MA5A2	16.8	22.3

Material

Part	Material / Finish
Housing	Nylon 66 94V-2, white (natural color)

※ Color Identification: the following alphabet shall be put,
 ex. 4200MA 4 0 X* (natural color)
 ex. 4200MA 4 0 X* - B
 4... Circuit no. B... Black, R... Red color
 X*... Plastics Material no.: 0... Nylon 66 94V-0, 2... Nylon 66 94V-2



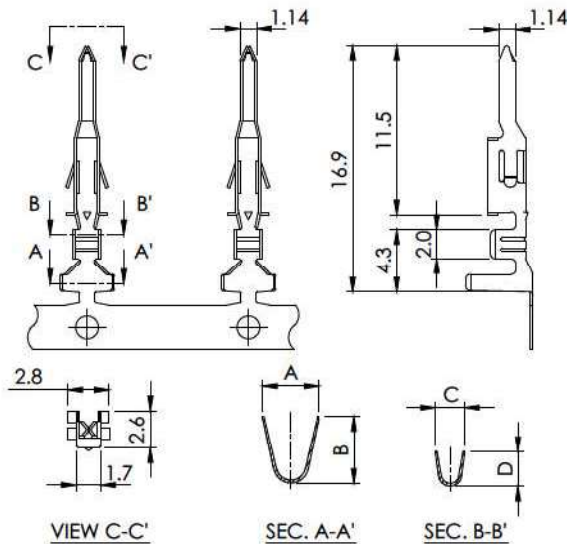
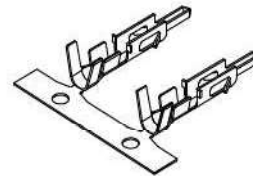
Panel-Mount

W/O Flange

Reference

- ◇ Use with 4200MA, 4200M Receptacle Housing

4203TM Pin-Contact Crimp Terminal



VIEW C-C'

SEC. A-A'

SEC. B-B'

Ordering Information

Part No.	Applicable Wire		Q'ty / Reel
	AWG #	Insulation O.D. mm	
4203TM12R	16	2.9 Max.	5,000
4203TM22R	18 - 24	2.7 Max.	5,000
4203TM32R	22 - 28	2.2 Max.	5,000

Part No.	Material	A	B	C	D
4203TM12R	Brass	3.8	4.2	2.3	2.9
4203TM22R	Tin-plated	3.8	4.2	2.0	2.3
4203TM32R		2.3	2.3	1.65	1.8

4.2 Pitch 4200 SERIES CONNECTOR



4.2 mm Pitch Wire-to-Wire Connector



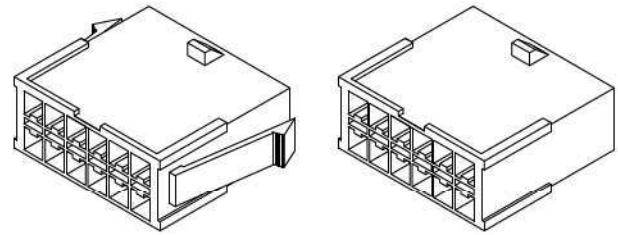
Specifications

- ◇ Current rating: 8A AC/DC Max.
- ◇ Voltage Range: 600V AC,DC
- ◇ Withstand Voltage: 1500V AC/Minute
- ◇ Contact Resistance: 10 mΩ Max. before environment test
- ◇ Insulation Resistance: 1000 MΩ Min.
- ◇ Temperature Range: -40° C to 105° C

Reference

- ◇ Mates with 4200F Plug Housing, Dual-Row
- ◇ Use with 4203TM Crimp Terminal
- ◇ Certification: UL, CSA, TUV
- ◇ Applicable wire gauge: AWG 16 - 28

4200M Receptacle Housing Dual-Row



Panel-Mount Series

W/O Flange Series

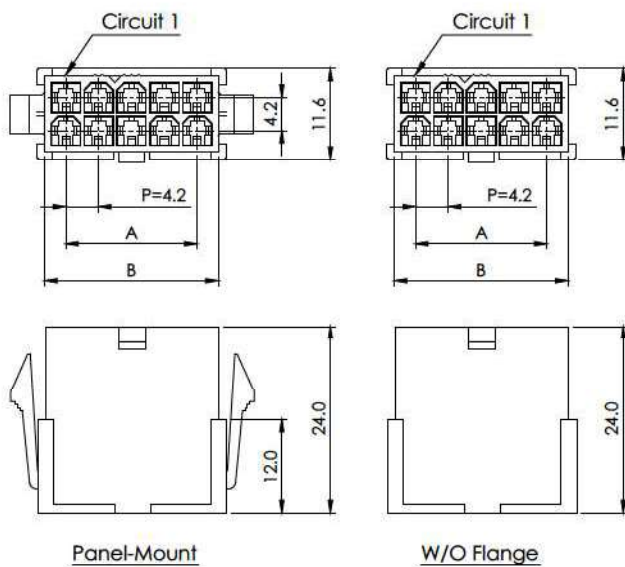
Ordering Information

Circuits	Part No.		Dimension	
	Panel-Mount	W/O Flange	A	B
2	4200M02 02	4200M02 A2	n / a	5.4
4	4200M04 02	4200M04 A2	4.2	9.6
6	4200M06 02	4200M06 A2	8.4	13.8
8	4200M08 02	4200M08 A2	12.6	18.0
10	4200M10 02	4200M10 A2	16.8	22.2
12	4200M12 02	4200M12 A2	21.0	26.4
14	4200M14 02	4200M14 A2	25.2	30.6
16	4200M16 02	4200M16 A2	29.4	34.8
18	4200M18 02	4200M18 A2	33.6	39.0
20	4200M20 02	4200M20 A2	37.8	43.2
22	4200M22 02	4200M22 A2	42.0	47.4
24	4200M24 02	4200M24 A2	46.2	51.6

Material

Part	Material / Finish
Housing	Nylon 66 94V-2, white (natural color)

- ※ Color Identification: the following alphabet shall be put,
 ex. 4200M 14 0 X* (natural color)
 ex. 4200M 14 0 X* - B
 14... Circuit no. B... Black, R... Red color
 X*... Plastics Material no.: 0... Nylon 66 94V-0, 2... Nylon 66 94V-2

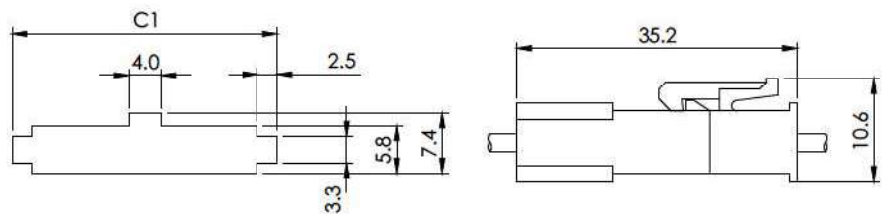


Panel-Mount

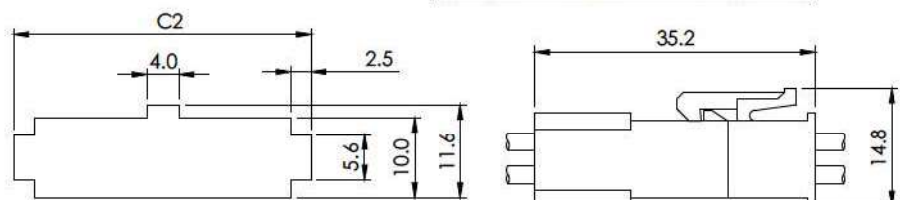
W/O Flange

Panel Layout / Assembly Layout

Wire-to-Wire Connection (Single-Row)



Wire-to-Wire Connection (Dual-Row)



Circuits	Dimension	
	C1	C2
2	15.0	10.8
3	19.2	X
4	23.4	15.0
5	27.6	X
6	X	19.2
8	X	23.4
10	X	27.6
12	X	31.8
14	X	36.0
16	X	40.2
18	X	44.4
20	X	48.6
22	X	52.8
24	X	57.0

4.2 Pitch 4200 SERIES CONNECTOR



4.2 mm Pitch Wire-to-Wire Connector



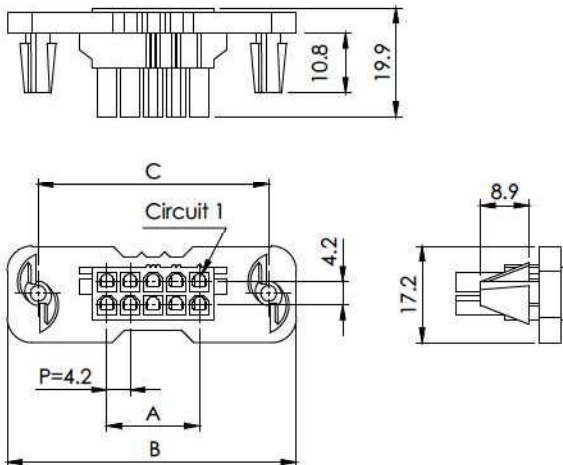
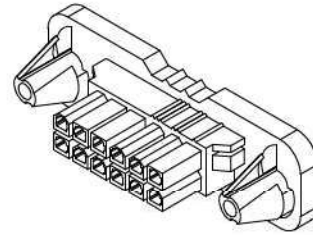
Specifications

- ◇ Current rating: 8A AC/DC Max.
- ◇ Voltage Range: 600V AC,DC
- ◇ Withstand Voltage: 1500V AC/Minute
- ◇ Contact Resistance: 10 mΩ Max. before environment test
- ◇ Insulation Resistance: 1000 MΩ Min.
- ◇ Temperature Range: -40° C to 105° C

Reference

- ◇ Mates with 4200M Receptacle Housing, Type-B
- ◇ Use with 4203TF Crimp Terminal
- ◇ Certification: UL, CSA
- ◇ Applicable wire gauge: AWG 16 - 28

4200F Plug Housing, Type-A



Ordering Information

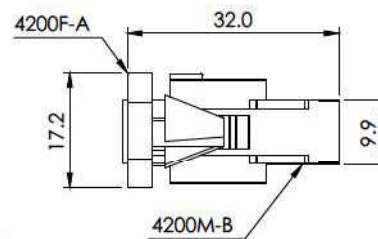
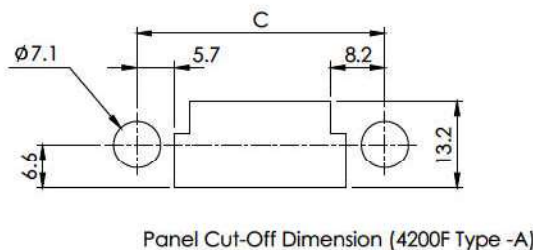
Circuits	Part No. ex. UL 94V-2	Dimension		
		A	B	C
4	4200F04 A2	4.2	40.5	29.2
6	4200F06 A2	8.4	44.7	33.4
8	4200F08 A2	12.6	48.9	37.6
10	4200F10 A2	16.8	53.1	41.8
12	4200F12 A2	21.0	57.3	46.0
14	4200F14 A2	25.2	61.5	50.2
16	4200F16 A2	29.4	65.7	54.4
18	4200F18 A2	33.6	69.9	58.6
20	4200F20 A2	37.8	74.1	62.8
22	4200F22 A2	42.0	78.3	67.0
24	4200F24 A2	46.2	82.5	71.2

Material

Part	Material / Finish
Housing	Nylon 66 94V-2, white (natural color)

※ Color Identification: the following alphabet shall be put,
 ex. 4200F 14 A X* (natural color)
 ex. 4200F 14 A X* - B
 14... Circuit no. B... Black, R... Red color
 X*... Plastics Material no.: 0... Nylon 66 94V-0

Panel Layout / Assembly Layout



4.2 Pitch 4200 SERIES CONNECTOR



4.2 mm Pitch Wire-to-Wire Connector



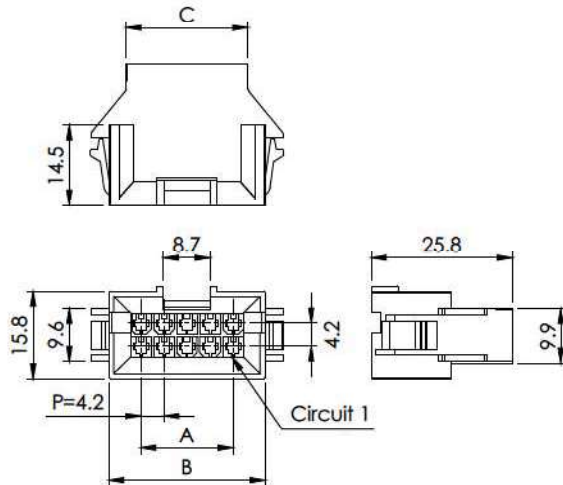
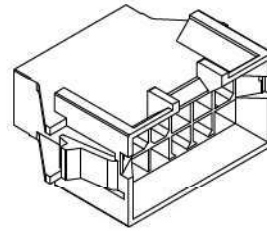
Specifications

- ◇ Current rating: 8A AC/DC Max.
- ◇ Voltage Range: 600V AC,DC
- ◇ Withstand Voltage: 1500V AC/Minute
- ◇ Contact Resistance: 10 mΩ Max. before environment test
- ◇ Insulation Resistance: 1000 MΩ Min.
- ◇ Temperature Range: -40° C to 105° C

Reference

- ◇ Mates with 4200F Plug Housing, Type-A
- ◇ Use with 4203TM Crimp Terminal
- ◇ Certification: UL, CSA, TUV
- ◇ Applicable wire gauge: AWG 16 - 28

4200M Receptacle Housing, Type-B



Ordering Information

Circuits	Part No.	Dimension		
		A	B	C
4	4200M04 B2	4.2	15.8	9.8
6	4200M06 B2	8.4	20.0	14.0
8	4200M08 B2	12.6	24.2	18.2
10	4200M10 B2	16.8	28.4	22.4
12	4200M12 B2	21.0	32.6	26.6
14	4200M14 B2	25.2	36.8	30.8
16	4200M16 B2	29.4	41.0	35.0
18	4200M18 B2	33.6	45.2	39.2
20	4200M20 B2	37.8	49.4	43.4
22	4200M22 B2	42.0	53.6	47.6
24	4200M24 B2	46.2	57.8	51.8

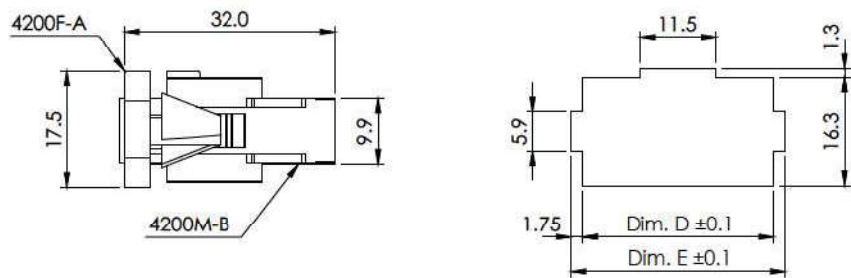
Material

Part	Material / Finish
Housing	Nylon 66 94V-2, white (natural color)

※ Color Identification: the following alphabet shall be put,
 ex. 4200M 14 B X* (natural color)
 ex. 4200M 14 B X* - B
 14... Circuit no. B... Black, R... Red color
 X*... Plastics Material no.: 0... Nylon 66 94V-0

Panel Layout / Assembly Layout

Circuits	Dimension	
	D	E
4	16.3	19.8
6	20.5	24.0
8	24.7	28.2
10	28.9	32.4
12	33.1	36.6
14	37.3	40.8
16	41.5	45.0
18	45.7	49.2
20	49.9	53.4
22	54.1	57.6
24	58.3	61.8



Panel Cut-Off Dimension (4200M Type-B)

4.2 Pitch 4200 SERIES CONNECTOR



4.2 mm Pitch Wire-to-Wire Connector

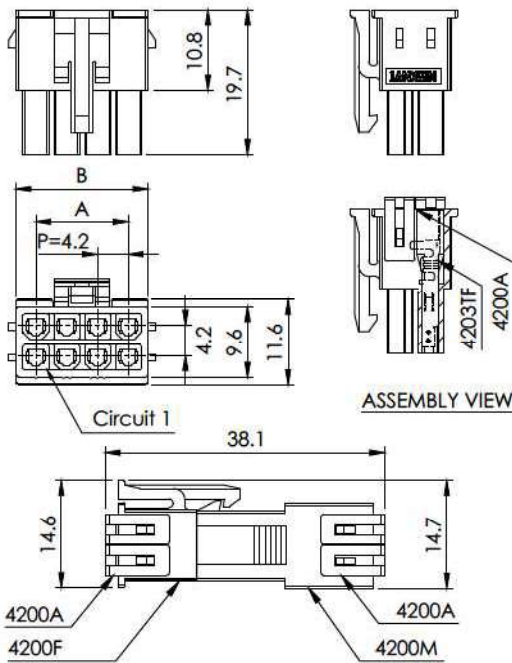
RoHS REACH LF HFA GWT

Specifications

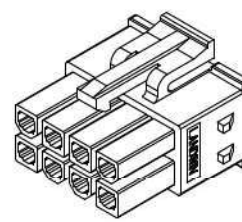
- ◇ Current rating: 8A AC/DC Max.
- ◇ Voltage Range: 600V AC,DC
- ◇ Withstand Voltage: 1500V AC/Minute
- ◇ Contact Resistance: 10 mΩ Max. before environment test
- ◇ Insulation Resistance: 1000 MΩ Min.
- ◇ Temperature Range: -40° C to 105° C
- ◇ GWT 850°C Rated Compliant Product

Reference

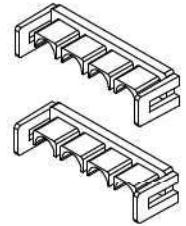
- ◇ Mates with 4200M Receptacle Housing, Type-XA
- ◇ 4200F Type-XA mates with 4200A Retainer (T.P.A.)
- ◇ Mates with 4201P, 4202P High-Temperature Series Header
- ◇ Use with 4203TF Crimp Terminal
- ◇ Certification: refer to 4200F series
- ◇ Applicable wire gauge: AWG 16 - 28



4200F Plug Housing, Type-XA



4200F Plug Housing



4200A T.P.A.

Ordering Information

HIGH-TEMPERATURE

Circuits	Part No.	Dimension	
		A	B
2	4200F02 01-BA	n/a	5.4
4	4200F04 01-BA	4.2	9.6
6	4200F06 01-BA	8.4	13.8
8	4200F08 01-BA	12.6	18.0
10	4200F10 01-BA	16.8	22.2
12	4200F12 01-BA	21.0	26.4
14	4200F14 01-BA	25.2	30.6
16	4200F16 01-BA	29.4	34.8
18	4200F18 01-BA	33.6	39.0
20	4200F20 01-BA	37.8	43.2
22	4200F22 01-BA	42.0	47.4
24	4200F24 01-BA	46.2	51.6

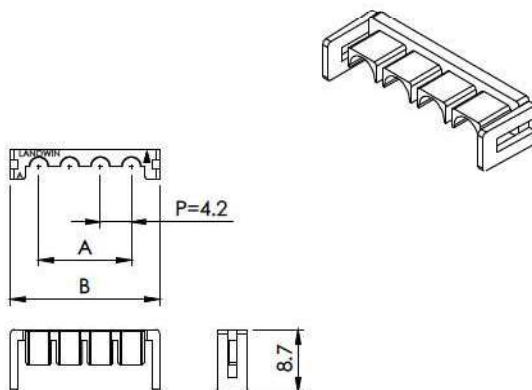
Material

Part	Material / Finish
Housing	Glass-filled Nylon 66 94V-0, Black

※ Color Identification: the following alphabet shall be put,
 ex. 4200F 12 01 - B A
 12... Circuit no. B... Black, S... Light ivory (base color)

Reference

- ◇ Mates with 4200F Plug Housing, Type-XA
- ◇ Mates with 4200M Receptacle Housing, Type-XA



4200A Retainer (T.P.A.)

Ordering Information

HIGH-TEMPERATURE

Circuits	Part No.	Dimension	
		A	B
1	4200A01 01-R	n/a	7.7
2	4200A02 01-R	4.2	11.9
3	4200A03 01-R	8.4	16.1
4	4200A04 01-R	12.6	20.3
5	4200A05 01-R	16.8	24.5
6	4200A06 01-R	21.0	28.7
7	4200A07 01-R	25.2	32.9
8	4200A08 01-R	29.4	37.1
9	4200A09 01-R	33.6	41.3
10	4200A10 01-R	37.8	45.5
11	4200A11 01-R	42.0	49.7
12	4200A12 01-R	46.2	53.9

※ Material: Glass-filled Nylon 66 94V-0, red color

4.2 Pitch 4200 SERIES CONNECTOR



4.2 mm Pitch Wire-to-Wire Connector



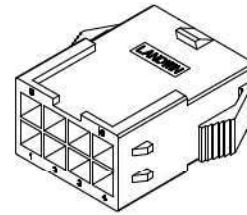
Specifications

- ◇ Current rating: 8A AC/DC Max.
- ◇ Voltage Range: 600V AC,DC
- ◇ Withstand Voltage: 1500V AC/Minute
- ◇ Contact Resistance: 10 mΩ Max. before environment test
- ◇ Insulation Resistance: 1000 MΩ Min.
- ◇ Temperature Range: -40° C to 105° C
- ◇ GWT 850°C Rated Compliant Product

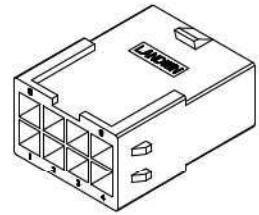
Reference

- ◇ Mates with 4200F Plug Housing, Type-XA
- ◇ 4200M Type-XA mates with 4200A Retainer (T.P.A.)
- ◇ Use with 4203TM Pin-contact Crimp Terminal
- ◇ Certification: refer to 4200F series
- ◇ Applicable wire gauge: AWG 16 - 28

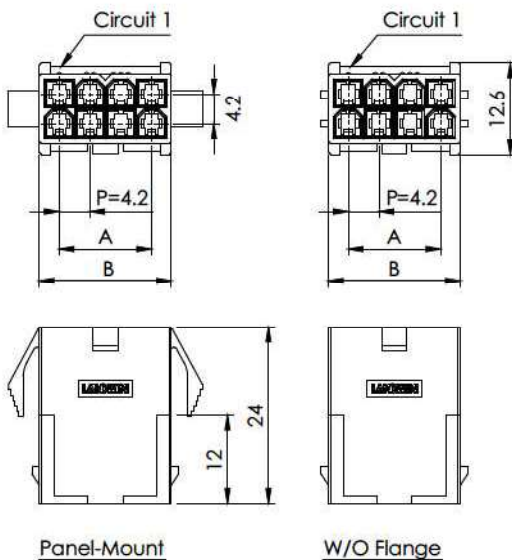
4200M Receptacle Housing, Type-XA
4200M Receptacle Housing, Type-AXA



Panel-Mount



W/O Flange



Panel-Mount

W/O Flange

Ordering Information

HIGH-TEMPERATURE

Circuits	Part No.		Dimension	
	Panel-Mount Type-XA	W/O Flange Type-AXA	A	B
2	4200M02 01-BA	4200M02 A1-BA	n / a	5.4
4	4200M04 01-BA	4200M04 A1-BA	4.2	9.6
6	4200M06 01-BA	4200M06 A1-BA	8.4	13.8
8	4200M08 01-BA	4200M08 A1-BA	12.6	18.0
10	4200M10 01-BA	4200M10 A1-BA	16.8	22.2
12	4200M12 01-BA	4200M12 A1-BA	21.0	26.4
14	4200M14 01-BA	4200M14 A1-BA	25.2	30.6
16	4200M16 01-BA	4200M16 A1-BA	29.4	34.8
18	4200M18 01-BA	4200M18 A1-BA	33.6	39.0
20	4200M20 01-BA	4200M20 A1-BA	37.8	43.2
22	4200M22 01-BA	4200M22 A1-BA	42.0	47.4
24	4200M24 01-BA	4200M24 A1-BA	46.2	51.6

Material

Part	Material / Finish
Housing	Glass-filled Nylon 66 94V-0, Black

※ Color Identification: the following alphabet shall be put.

ex. 4200M 12 0 1 - B A

12... Circuit no. B... Black, S... Light ivory (base color)

Panel Layout / Assembly Layout

Circuits	Dimension		Circuits	Dimension	
	C2			C2	
2	10.8		14	36.0	
4	15.0		16	40.2	
6	19.2		18	44.4	
8	23.4		20	48.6	
10	27.6		22	52.8	
12	31.8		24	57.0	

