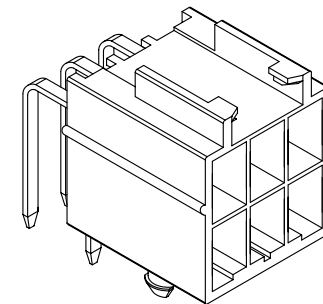
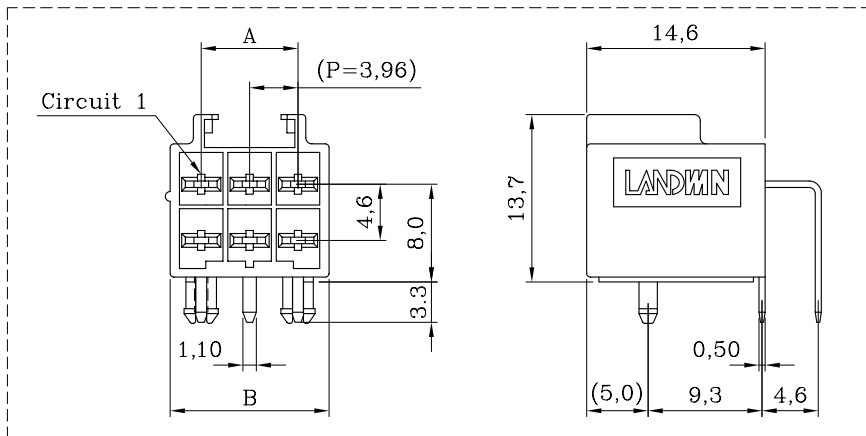


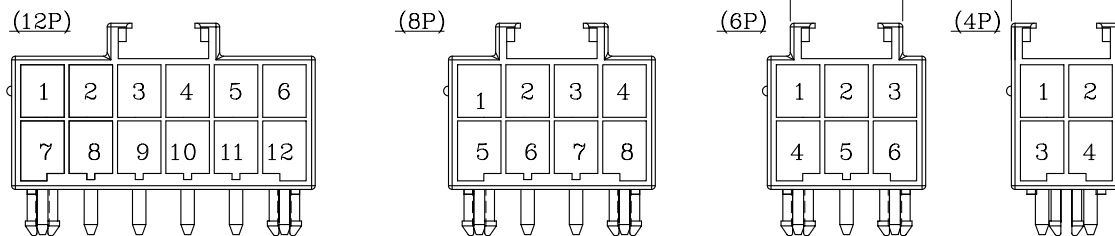
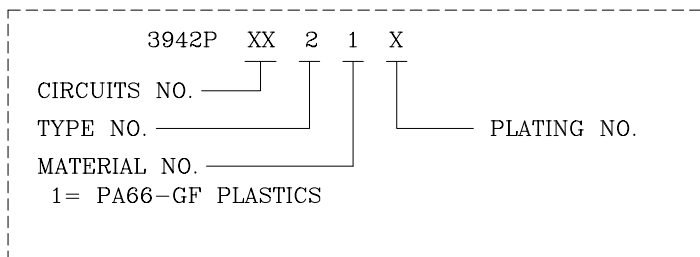
ORDER INFORMATION AND DIMENSION:

Circuits	Part No. (Light ivory color, with Peg)	Dimension	
		A	B
4	3942P04 21V	3.96	9.04
6	3942P06 21V	7.92	13.00
8	3942P08 21V	11.88	16.96
10	3942P10 21V	15.84	20.92
12	3942P12 21V	19.80	24.88
14	3942P14 21V	23.76	28.84
16	3942P16 21V	27.72	32.80
18	3942P18 21V	31.68	36.76
20	3942P20 21V	35.64	40.72
22	3942P22 21V	39.60	44.68
24	3942P04 21V	43.56	48.64

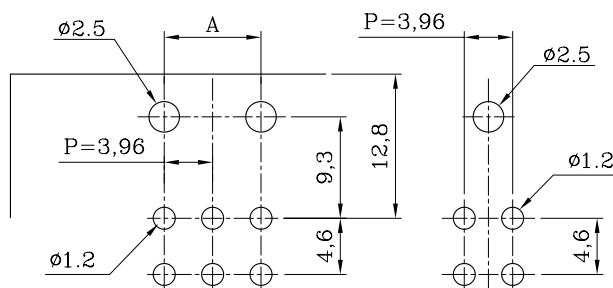


ISOMETRIC VIEW

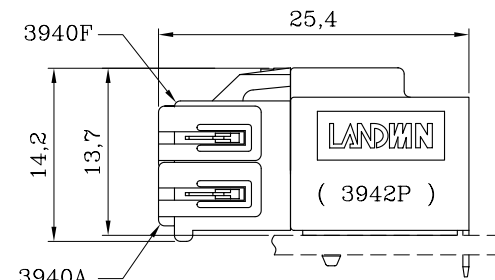
DESCRIPTION OF ORDER NO.:



PIN ASSIGNMENT (Front View)



P.C. BOARD LAYOUT



ASSEMBLY LAYOUT

NOTES:

- MATERIAL:
BASE: PA66-GF 94V-0, LIGHT-IVORY (NATURAL COLOR)
CONTACT PIN: BRASS
- MATES WITH 3940F DUAL-ROW SERIES PLUG HOUSING.
- DESCRIPTION OF COLOR NO.:
LEGEND: 3942PXX21X-X (-X: COLOR CODE)
B=BLACK, R=RED, E=BLUE, H=GRAY, I=BRICK RED,
- REPLACEMENT OF HALOGEN-FREE PRODUCT:
LEGEND: 3942PXX21X-XNH (NH: HALOGEN-FREE)
LEGEND: 3942PXX21X-SNH (S=LIGHT IVORY COLOR)
- INFORMATION IN THIS DRAWING IS NOT CONSIDERED AS FINAL.

DESCRIPTION OF PLATING NO:	
V= MATTE TIN-PLATED	A= SELECT GOLD FLASH-PLATED (SOLEDER TAIL WITH TIN-PLATED)



High GWT Product Sales Drawing

LANDWIN 聯盈電子股份有限公司
LANDWIN ELECTRONIC CORP.

MATERIAL: SEE NOTES		FINISH(COLOR): SEE NOTES		GENERAL TOLERANCE:		PROJECTION	SCALE	UNIT	SHEET NO.	REV
						FREE	FREE	MM	1 / 1	W1
						DRAWN	R.G.	DRAW NO.		
						CHECKED	J.L.Lin	(CQ) 3942PXX21X		
						APPD	H.Y.Lin	TITLE:		
W1	NEW RELEASE	31-DEC-14'	ANGULAR ±3°	DATE	31-DEC-14'	3.96 PITCH DUAL-ROW R/A HEADER (TYPE-2)				
REV.	REVISION RECORD	DATE								