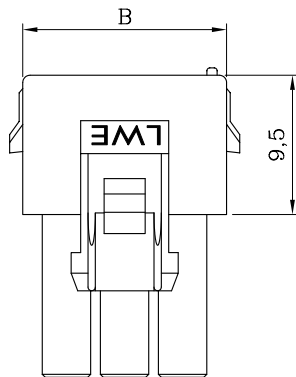
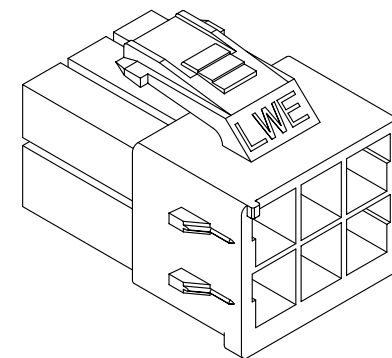
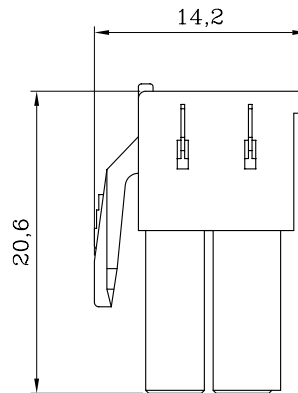


ORDER INFORMATION AND DIMENSION:

Circuits	Part No. (White/Natural color)	Dimension	
		A	B
4	3940F04 10	3.96	9.90
6	3940F06 10	7.92	13.90
8	3940F08 10	11.88	17.86
10	3940F10 10	15.84	21.82
12	3940F12 10	19.80	25.78
14	3940F14 10	23.76	29.74
16	3940F16 10	27.72	33.70
18	3940F18 10	31.68	37.66
20	3940F20 10	35.64	41.62
22	3940F22 10	39.60	45.58
24	3940F24 10	43.56	49.54

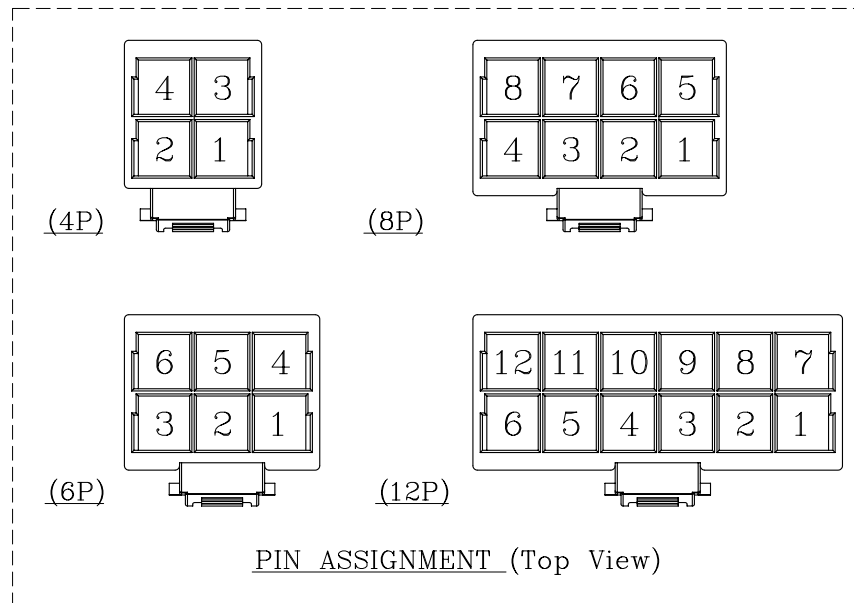
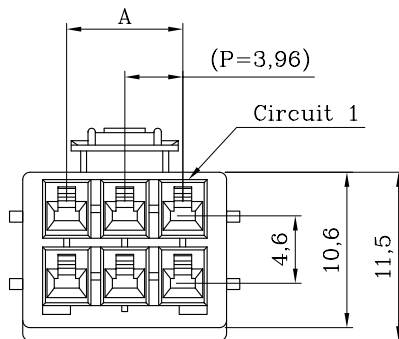
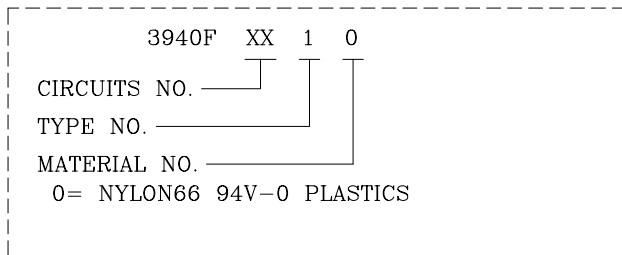


(FRONT VIEW)



ISOMETRIC VIEW

DESCRIPTION OF ORDER NO.:



PIN ASSIGNMENT (Top View)

NOTES:

- MATERIAL:
BASE: NYLON66, WHITE (NATURAL COLOR)
- USE WITH 3943TF SERIES CRIMP TERMINAL.
- MATES WITH 3941P, 3942P DUAL-ROW SERIES HEADER.
- MATES WITH 3940M DUAL-ROW SERIES RECEPTACLE HOUSING.
- DESCRIPTION OF COLOR NO.:
LEGEND: 3940FXX10-X (-X: COLOR CODE)
B=BLACK, R=RED, E=BLUE, H=GRAY,
- INFORMATION IN THIS DRAWING IS NOT CONSIDERED AS FINAL.



MATERIAL: SEE NOTES

FINISH(COLOR): SEE NOTES

Sales Drawing



聯盈電子股份有限公司
LANDWIN ELECTRONIC CORP.

GENERAL TOLERANCE:		PROJECTION	SCALE	UNIT	SHEET NO.	REV
		⊕	FREE	MM	1 / 1	W1
DRAWN		R.G.		DRAW NO.		
CHECKED		J.L.Lin		(AQ) 3940FXX10		
APPD		H.Y.Lin		TITLE:		
W1	NEW RELEASE	31-DEC-14'	ANGULAR ±3°	DATE 31-DEC-14'	3.96 PITCH DUAL-ROW PLUG HOUSING (TYPE-1)	
REV.	REVISION RECORD	DATE				