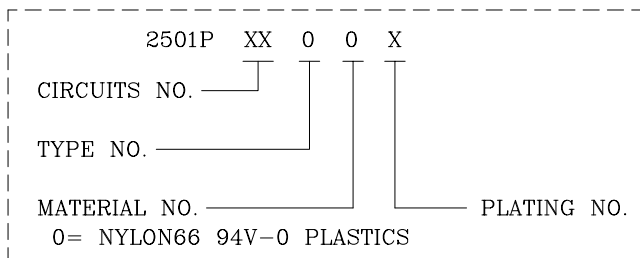


ORDER INFORMATION AND DIMENSION:

Circuits	Part No. (White color, T/P)	Dimension	
		A	B
2	2501P02 00T	2.5	7.5
3	2501P03 00T	5.0	10.0
4	2501P04 00T	7.5	12.5
5	2501P05 00T	10.0	15.0
6	2501P06 00T	12.5	17.5
7	2501P07 00T	15.0	20.0
8	2501P08 00T	17.5	22.5
9	2501P09 00T	20.0	25.0
10	2501P10 00T	22.5	27.5
11	2501P11 00T	25.0	30.0
12	2501P12 00T	27.5	32.5
13	2501P13 00T	30.0	35.0
14	2501P14 00T	32.5	37.5
15	2501P15 00T	35.0	40.0
16	2501P16 00T	37.5	42.5

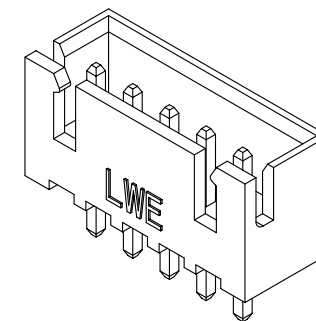
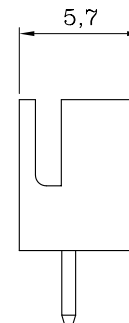
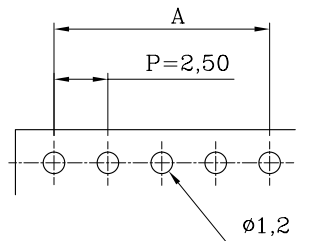
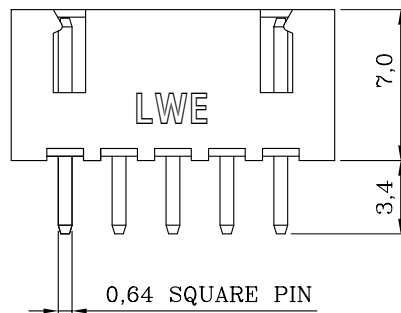
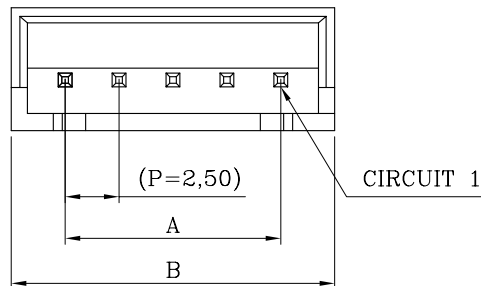
DESCRIPTION OF ORDER NO.:



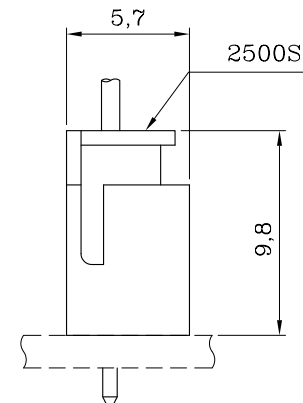
NOTES:

- MATERIAL:
BASE: NYLON66 94V-0, WHITE COLOR (NATURAL)
CONTACT PIN: BRASS
- MATES WITH 2500S SINGLE-ROW SERIES PLUG HOUSING.
- DESCRIPTION OF COLOR CODE:
LEGEND: 2501PXX00X-X (-X: COLOR CODE)
B=BLACK, C=COCONUT BROWN, D=ORANGE, E=BLUE, H=GRAY,
I=BRICK RED, K=PURPLE, L=LEMON YELLOW, M=GREEN,
P=PINK, R=RED, V=LAVENDER, W=BROWN, Y=YELLOW
- INFORMATION IN THIS DRAWING IS NOT CONSIDERED AS FINAL.

DESCRIPTION OF PLATING CODE:	
T= TIN-PLATED (T/P)	1= GOLD FLASH-PLATED
V= MATTE TIN-PLATED	



ISOMETRIC VIEW



ASSEMBLY LAYOUT

P.C. BOARD LAYOUT
(COMPONENT SIDE)

MATERIAL: SEE NOTES		FINISH(COLOR): SEE NOTES	
W1	NEW RELEASE	31-DEC-14'	ANGULAR $\pm 3^\circ$
REV.	REVISION RECORD	DATE	

		Sales Drawing			
聯盈電子股份有限公司 LANDWIN ELECTRONIC CORP.					
GENERAL TOLERANCE:	PROJECTION	SCALE	UNIT	SHEET NO.	REV
		FREE	MM	1 / 1	W1
	DRAWN R.G.	DRAW NO.			
	CHECKED J.L.Lin	(CQ) 2501PXX00X			
	APPD H.Y.Lin	TITLE:			
	DATE 31-DEC-14'	2.50 PITCH SINGLE-ROW STRAIGHT DIP-HEADER			