

# Mini Pitch 1010 SERIES CONNECTOR



1.0 mm Pitch Wire-to-Board Connector

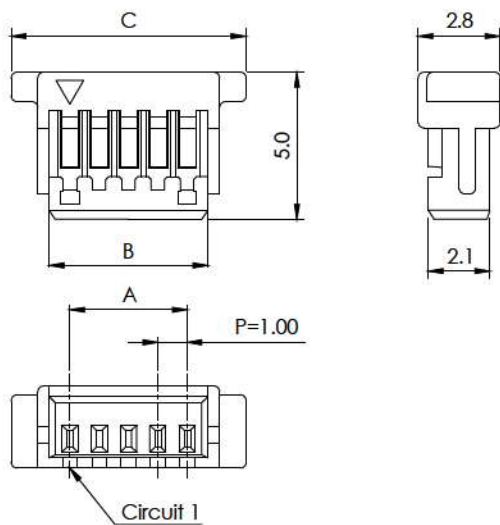


## Specifications

- ◇ Current rating: 1A AC/DC Max.
- ◇ Voltage Range: 50V AC,DC
- ◇ Withstand Voltage: 500V AC/Minute
- ◇ Contact Resistance: 20 mΩ Max. before environment test
- ◇ Insulation Resistance: 100 MΩ Min.
- ◇ Temperature Range: -25° C to 85° C

## Reference

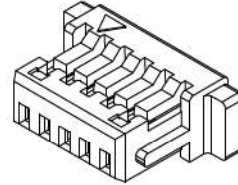
- ◇ Mates with 1011P, 1012P series Single-Row Header
- ◇ Use with 1013T series Crimp Terminal
- ◇ Certifications: UL, CSA
- ◇ Applicable wire gauge: AWG 28 - 32



※ Color Identification: the following alphabet shall be put,  
ex. 1010S 20 03- B  
20... Circuit no.  
B... Black, H... Gray, M... Green, E... Blue, W... Brown, R... Red

※ P/N for Halogen-Free replacement:  
ex. 1010S2003 -S NH  
S... white (natural color), NH... Halogen-free

## 1010S Single-Row Plug Housing



## Ordering Information

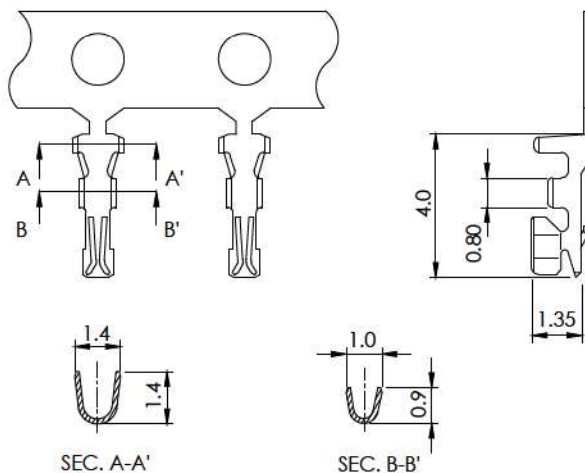
Circuits	Part No.	Dimension		
		A	B	C
2	1010S0203	1.0	2.4	5.0
3	1010S0303	2.0	3.4	6.0
4	1010S0403	3.0	4.4	7.0
5	1010S0503	4.0	5.4	8.0
6	1010S0603	5.0	6.4	9.0
7	1010S0703	6.0	7.4	10.0
8	1010S0803	7.0	8.4	11.0
9	1010S0903	8.0	9.4	12.0
10	1010S1003	9.0	10.4	13.0
11	1010S1103	10.0	11.4	14.0
12	1010S1203	11.0	12.4	15.0
13	1010S1303	12.0	13.4	16.0
14	1010S1403	13.0	14.4	17.0
15	1010S1503	14.0	15.4	18.0
16	1010S1603	15.0	16.4	19.0
17	1010S1703	16.0	17.4	20.0
18	1010S1803	17.0	18.4	21.0
19	1010S1903	18.0	19.4	22.0
20	1010S2003	19.0	20.4	23.0

## Material

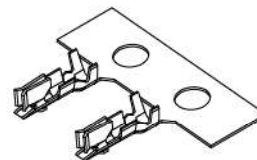
Part	Material / Finish
Housing	Glass-filled PBT 94V-0, white (natural)

## Reference

- ◇ Use with 1010S series Plug Housing



## 1013T Crimp Terminal



## Ordering Information

Part No.	Applicable Wire		Q'ty / Reel
	AWG #	Insulation O.D. mm	
1013T011R	28 - 32	0.8 Max.	15,000

## Material

Part No.	Material / Finish
1013T011R	Phosphor Bronze Tin-Plated

# Mini Pitch 1010 SERIES CONNECTOR



## 1.0 mm Pitch Wire-to-Board Connector

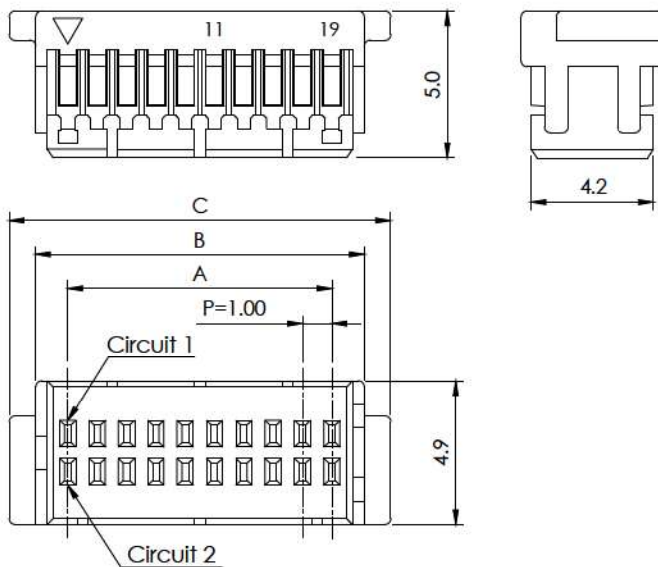


### Specifications

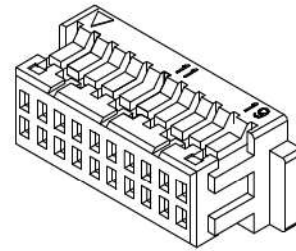
- ◇ Current rating: 1A AC/DC Max.
- ◇ Voltage Range: 50V AC,DC
- ◇ Withstand Voltage: 500V AC/Minute
- ◇ Contact Resistance: 20 mΩ Max. before environment test
- ◇ Insulation Resistance: 100 MΩ Min.
- ◇ Temperature Range: -25° C to 85° C

### Reference

- ◇ Mates with 1011P, 1012P series Dual-Row Header
- ◇ Use with 1013T series Crimp Terminal
- ◇ Certifications: UL, CSA
- ◇ Applicable wire gauge: AWG 28 - 32



### 1010S Dual-Row Plug Housing



### Ordering Information

Circuits	Part No.	Dimension		
		A	B	C
10	1010S10D3	4.0	6.2	8.0
20	1010S20D3	9.0	11.2	13.0
30	1010S30D3	14.0	16.2	18.0
40	1010S40D3	19.0	21.2	23.0
50	1010S50D3	24.0	26.2	28.0

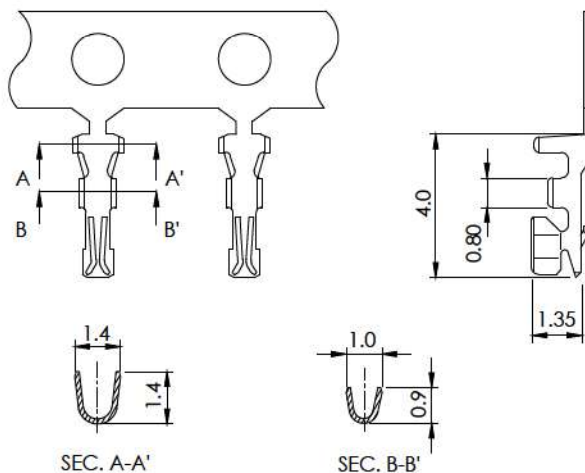
### Material

Part	Material / Finish
Housing	Glass-filled PBT 94V-0, white (natural)

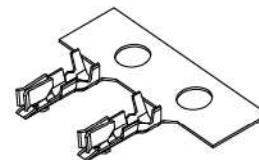
- ※ Color Identification: the following alphabet shall be put,  
ex. 1010S 20 D3- B  
20... Circuit no.  
B... Black, H... Gray, M... Green, E... Blue, W... Brown
- ※ P/N for Halogen-free replacement:  
ex. 1010S40D3 -S NH  
S... white (natural color), R... Red color  
NH... Halogen-free

### Reference

- ◇ Use with 1010S series Plug Housing



### 1013T Crimp Terminal



### Ordering Information

Part No.	Applicable Wire		
	AWG #	Insulation O.D. mm	Q'ty / Reel
1013T011R	28 - 32	0.8 Max.	15,000

### Material

Part No.	Material / Finish
1013T011R	Phosphor bronze Tin-plated



# Mini Pitch 1010 SERIES CONNECTOR



1.0 mm Pitch Wire-to-Board Connector

ROHS REACH LF HFA GWT

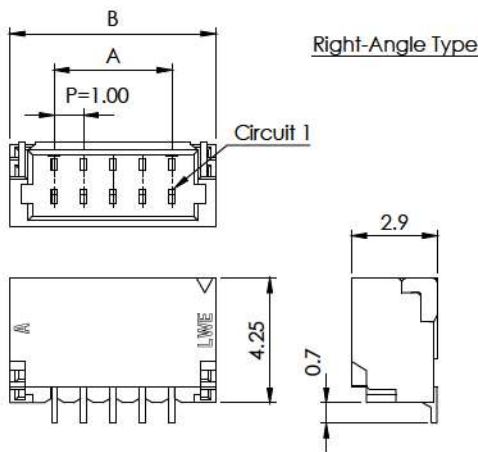
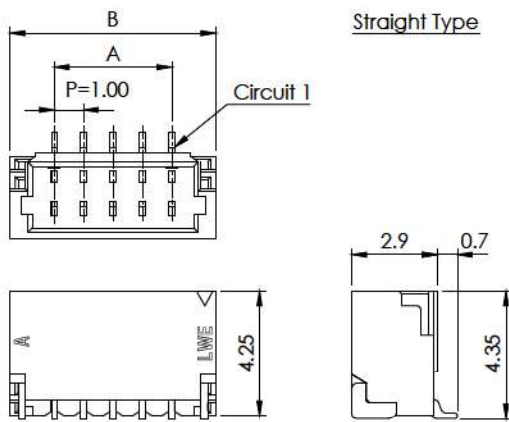
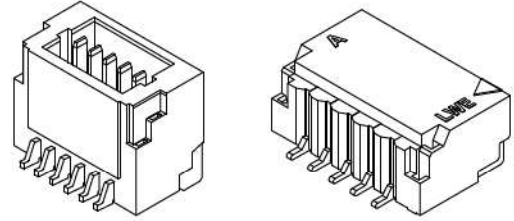
## Specifications

- ◇ Current rating: 1A AC/DC Max.
- ◇ Voltage Range: 50V AC,DC
- ◇ Withstand Voltage: 500V AC/Minute
- ◇ Contact Resistance: 20 mΩ Max. before environment test
- ◇ Insulation Resistance: 100 MΩ Min.
- ◇ Temperature Range: -25° C to 85° C

## Reference

- ◇ Mates with 1010S series Single-Row Plug Housing
- ◇ Certifications: UL, CSA
- ◇ GWT 850° C rated product is available

1011P, 1012P SMT Header, Single-row



## Ordering Information: REFLOW SOLDER SERIES

Circuits	Part No.		Dimension	
	Straight	Right-Angle	A	B
2	1011P02S9T	1012P02S9T	1.0	4.0
3	1011P03S9T	1012P03S9T	2.0	5.0
4	1011P04S9T	1012P04S9T	3.0	6.0
5	1011P05S9T	1012P05S9T	4.0	7.0
6	1011P06S9T	1012P06S9T	5.0	8.0
7	1011P07S9T	1012P07S9T	6.0	9.0
8	1011P08S9T	1012P08S9T	7.0	10.0
9	1011P09S9T	1012P09S9T	8.0	11.0
10	1011P10S9T	1012P10S9T	9.0	12.0
11	1011P11S9T	1012P11S9T	10.0	13.0
12	1011P12S9T	1012P12S9T	11.0	14.0
13	1011P13S9T	1012P13S9T	12.0	15.0
14	1011P14S9T	1012P14S9T	13.0	16.0
15	1011P15S9T	1012P15S9T	14.0	17.0
16	1011P16S9T	1012P16S9T	15.0	18.0
17	1011P17S9T	1012P17S9T	16.0	19.0
18	1011P18S9T	1012P18S9T	17.0	20.0
19	1011P19S9T	1012P19S9T	18.0	21.0
20	1011P20S9T	1012P20S9T	19.0	22.0

## Material

Base	HIGH HDT Nylon-GF 94V-0, Ivory color
Contact	Phosphor bronze, Matte tin-plated
Metal Peg	Phosphor bronze, Matte tin-plated

※ Color Identification: the following alphabet shall be put,  
ex. 1011P 20S9 I - B

20... Circuit no. B... Black, E... Blue, R... Red,  
T... Matte tin, I... Gold flash

※ P/N for Halogen-Free replacement:

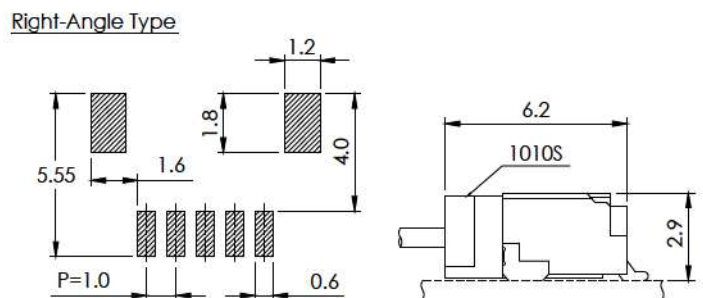
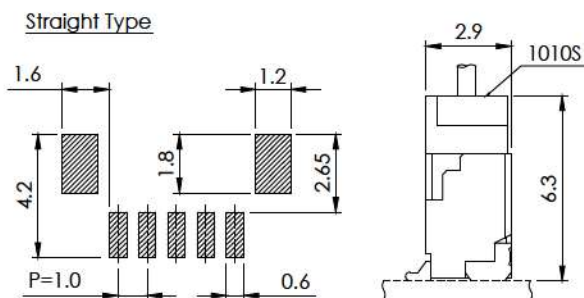
ex. 1011P20S9 I - S NH

S... Base color (Ivory) NH... Halogen-free

※ SMT Embossed Tape Packing Information:

Q' ty per 330 mm Dia. Panel: 1,000 PCS

## P.C. Board Layout / Assembly Layout



# Mini Pitch 1010 SERIES CONNECTOR



1.0 mm Pitch Wire-to-Board Connector

RoHS REACH LF HFA GWT

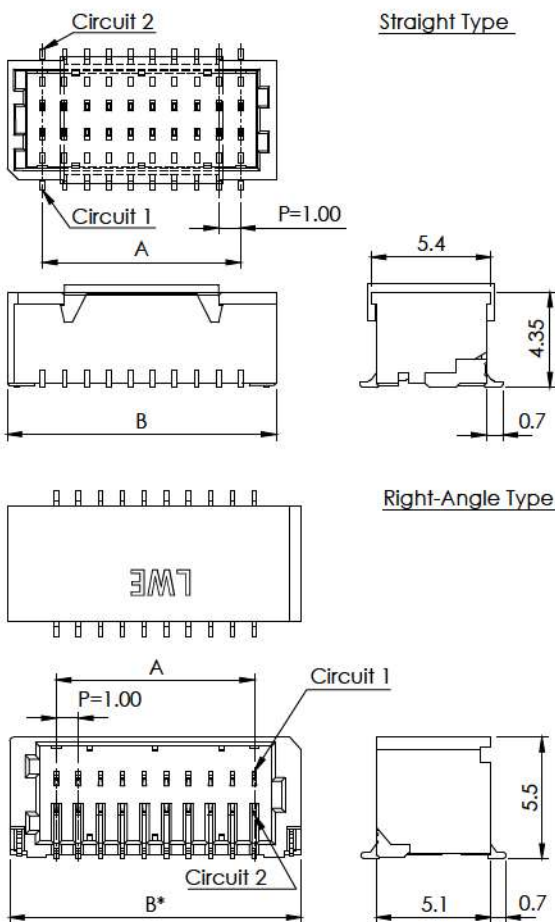
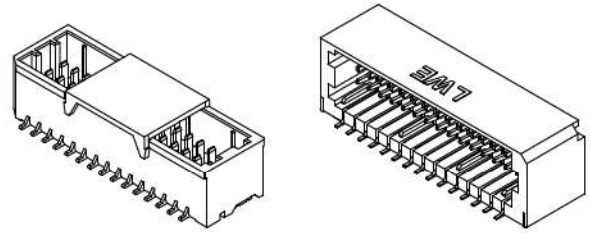
## Specifications

- ◇ Current rating: 1A AC/DC Max.
- ◇ Voltage Range: 50V AC,DC
- ◇ Withstand Voltage: 500V AC/Minute
- ◇ Contact Resistance: 20 mΩ Max. before environment test
- ◇ Insulation Resistance: 100 MΩ Min.
- ◇ Temperature Range: -25° C to 85° C

## Reference

- ◇ Mates with 1010S series Dual-Row Plug Housing
- ◇ Certifications: UL, CSA
- ◇ GWT 850° C rated product is available

1011P, 1012P SMT Header, Dual-row



## Ordering Information: REFLOW SOLDER SERIES

Circuits	Part No.		Dimension		
	Straight	Right-Angle	A	B	B*
10	1011P10D9T	1012P10D9T	4.0	7.3	8.0
20	1011P20D9T	1012P20D9T	9.0	12.3	13.0
30	1011P30D9T	1012P30D9T	14.0	17.3	18.0
40	1011P40D9T	1012P40D9T	19.0	22.3	23.0
50	1011P50D9T	1012P50D9T	24.0	27.3	28.0

## Material

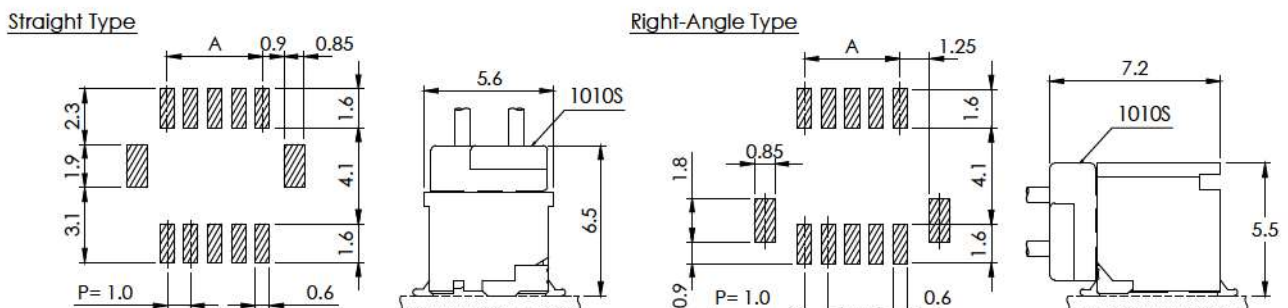
Part	Material / Finish
Base	HIGH HDT Nylon-GF 94V-0, Ivory color
Contact	Phosphor bronze, Matte tin-plated
Metal Peg	Phosphor bronze, Matte tin-plated

※ Color Identification: the following alphabet shall be put, ex. 1011P 50 D9 T - B  
 50... Circuit no.  
 B... Black, E... Blue, R... Red,  
 T... Matte tin, 1... Gold flash

※ P/N for Halogen-Free replacement:  
 ex. 1011P50D9 T - S NH  
 S... Base color (ivory), NH... Halogen-free

※ SMT Embossed Tape Packing Information:  
 Q' ty per 330 mm Dia. Panel: 1,000 PCS

## P.C. Board Layout / Assembly Layout





# Mini Pitch 1010 SERIES CONNECTOR



1.0 mm Pitch Wire-to-Board Connector

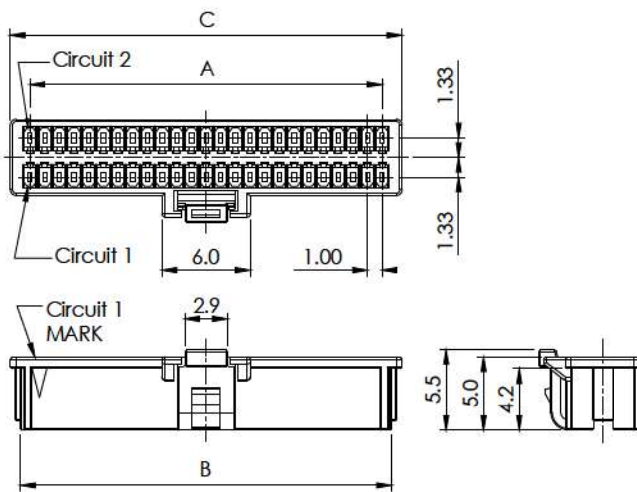


## Specifications

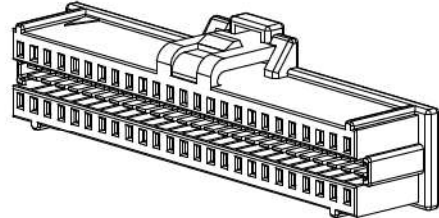
- ◇ Current rating: 1A AC/DC Max.
- ◇ Voltage Range: 50V AC,DC
- ◇ Withstand Voltage: 250V AC/Minute
- ◇ Contact Resistance: 20 mΩ Max. before environment test
- ◇ Insulation Resistance: 100 MΩ Min.
- ◇ Temperature Range: -40° C to 85° C

## Reference

- ◇ Mates with 1011PXXD9A-SB series dual-row Header
- ◇ Use with 1013T Type-3 series Crimp Terminal
- ◇ Certifications: refer to 1010S series
- ◇ Applicable wire gauge: AWG 28 - 32



## 1010S Plug Housing, Dual-Row (Type-B)



## Ordering Information

Circuits	Part No.	Dimension		
		A	B	C
10	1010S10D0-SB	4.0	5.3	6.7
20	1010S20D0-SB	9.0	10.3	11.7
30	1010S30D0-SB	14.0	15.3	16.7
40	1010S40D0-SB	19.0	20.3	21.7
50	1010S50D0-SB	24.0	25.3	26.7

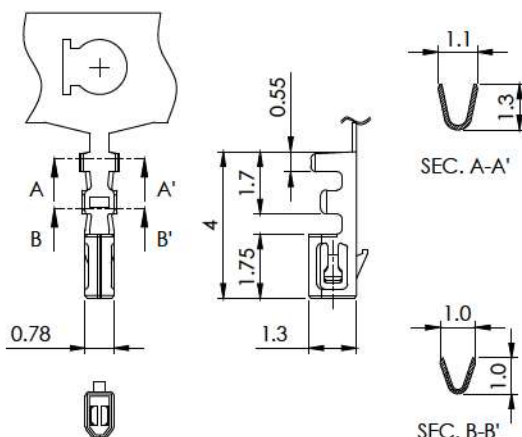
## Material

Part	Material / Finish
Housing	Nylon66 94V-0, white (natural)

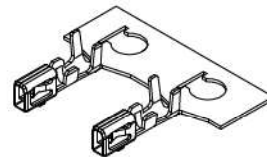
※ Color Identification: the following alphabet shall be put, ex. 1010S 50 D0- E B  
 50... Circuit no.  
 E... Blue, B... Black, H... Gray, M... Green, W... Brown  
 R... Red, D... Orange, Y... Yellow, P... Pink color

## Specifications

- ◇ Use with 1010S Type-B series Plug Housing



## 1013T Crimp Terminal (Type 3)



## Ordering Information

Part No.	Applicable Wire		
	AWG #	Insulation O.D. mm	Q'ty / Reel
1013T311B	28 - 32	0.8 Max.	15,000

## Material

Part No.	Material / Finish
1013T311B	Phosphor bronze 3 μ" Select gold-plated

# Mini Pitch 1010 SERIES CONNECTOR



1.0 mm Pitch Wire-to-Board Connector

RoHS REACH LF HFA GWT

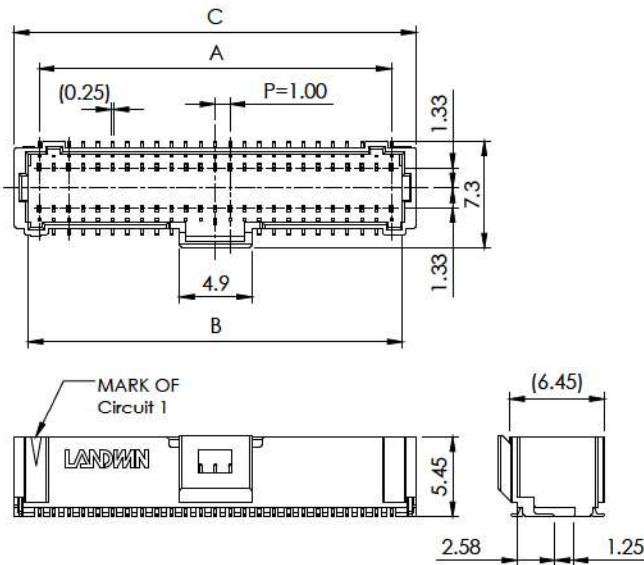
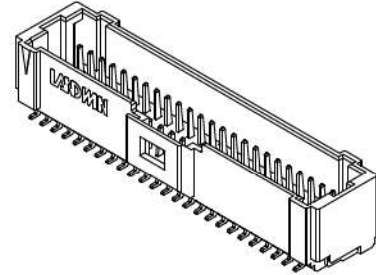
## Specifications

- ◇ Current rating: 1A AC/DC Max.
- ◇ Voltage Range: 50V AC,DC
- ◇ Withstand Voltage: 250V AC/Minute
- ◇ Contact Resistance: 20 mΩ Max. before environment test
- ◇ Insulation Resistance: 100 MΩ Min.
- ◇ Temperature Range: -40° C to 85° C

## Reference

- ◇ Mates with 1010SXXD0-SB series dual-row Plug Housing
- ◇ Certifications: refer to 1010S series
- ◇ GWT 850° C rated product is available

## 1011P SMT Header, Dual-row (Type-B)



## Ordering Information: REFLOW SOLDER SERIES

Circuits	Part No.	Dimension		
		A	B	C
10	1011P10D9A-SB	4.0	5.5	7.4
20	1011P20D9A-SB	9.0	10.5	12.4
30	1011P30D9A-SB	14.0	15.5	17.4
40	1011P40D9A-SB	19.0	20.5	22.4
50	1011P50D9A-SB	24.0	25.5	27.4

## Material

Part	Material / Finish
Housing	HIGH HDT Nylon-GF 94V-0, Ivory color
Contact	Phosphor bronze, Select gold flash-plated
Metal Peg	Phosphor bronze, Matte tin-plated

※ Color Identification: the following alphabet shall be put,  
ex. 1011P 50 D9A- E B  
50... Circuit no.  
B... Black, E... Blue, R... Red

※ P/N for Halogen-Free replacement:  
ex. 1011P50D9A - S B NH  
S... Base color ( Ivory )  
NH... Halogen-free

※ SMT Embossed Tape Packing Information:  
Q' ty per 330 mm Dia. Panel: 1,000 PCS

## P.C. Board Layout / Assembly Layout

