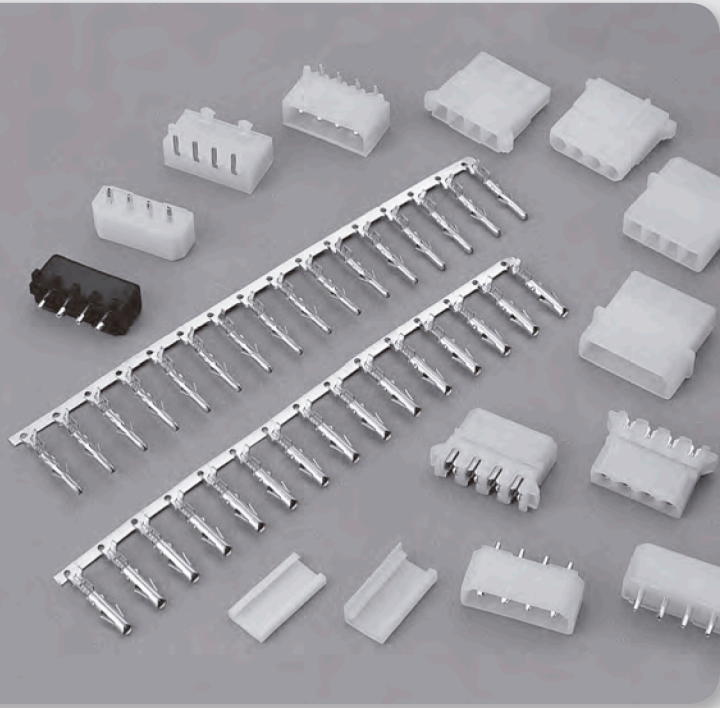


# 5.08mm (.200") Disk Drive Power Connectors



## Specifications

- Voltage Rating : 250V AC/DC
- Current Rating : 7A AC/DC
- Withstanding Voltage : 1,500V AC/minute
- Insulation Resistance : 1,000M $\Omega$  min.
- Temperature Range : -25°C to + 85°C
- Contact Resistance : 20m $\Omega$  max.

## Features:

### ■ HOUSING

Part No. : JS-1114-04W, JS-1114-04H

JS-1114-04HI, JS-1114-04HL(IDC type)

Poles : 4

Material : Nylon 66 UL94V-2

Q,ty : 1,000 pcs/Bag

### ■ WAFER

Part No. : JS-1114-04WS (Straight)

JS-1114-04WR (Right Angle)

JS-1114P-04WS (Square Pin)

Poles : 4

Material : Contact : Brass, Phos. Bronze, Tin Plated

Base : Nylon 66 UL94V-2

Q'ty : 1,000 pcs/Bag

### ■ TERMINAL

Part No. : JS-1114-04WT, JS-1114-04HT

Applicable Wires : JS-1114-04WT AWG# 16 - 20

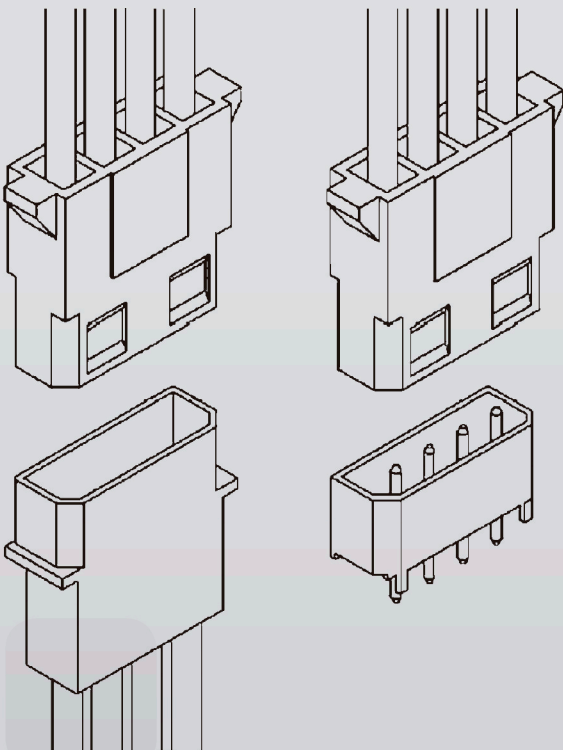
JS-1114-04HT AWG# 18 - 22

Material : Brass

Finish : Tin Plated

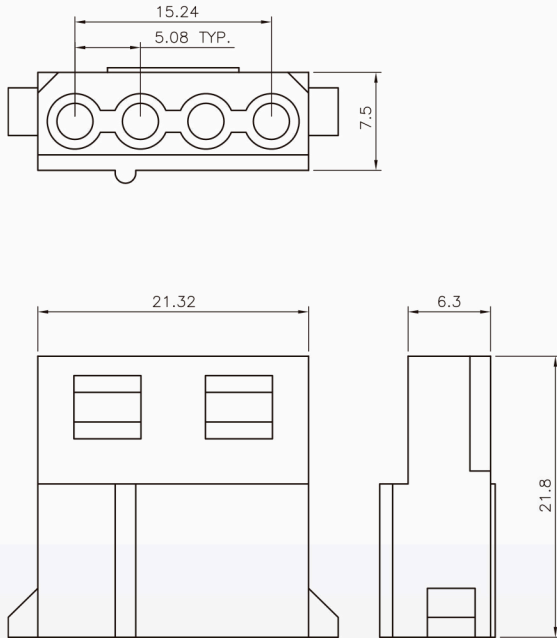
Thickness : 0.3mm, 0.25mm

Q'ty : 7,000 pcs/Reel

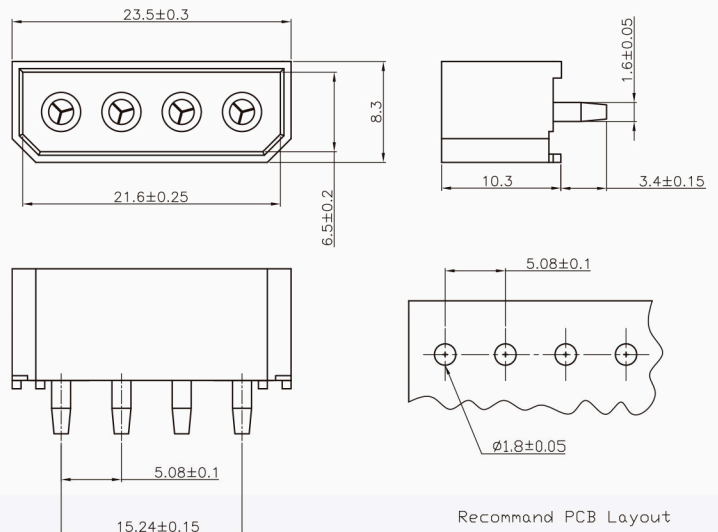


# 5.08mm (.200") Disk Drive Power Connectors

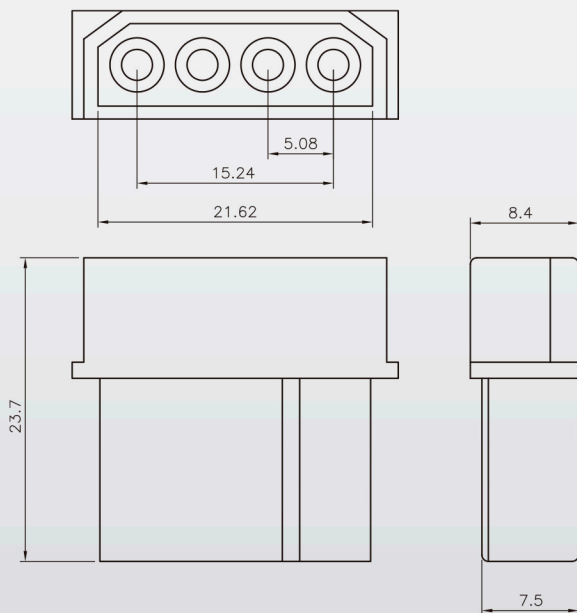
## Housing JS-1114-04W



## Wafer - Straight JS-1114-04WS



## Housing JS-1114-04H



## Wafer - Right Angle JS-1114-04WR

