

REVISION RECORD			
REV	ECO	DESCRIPTION	DRFT

NOTES:

ELECTRICAL:

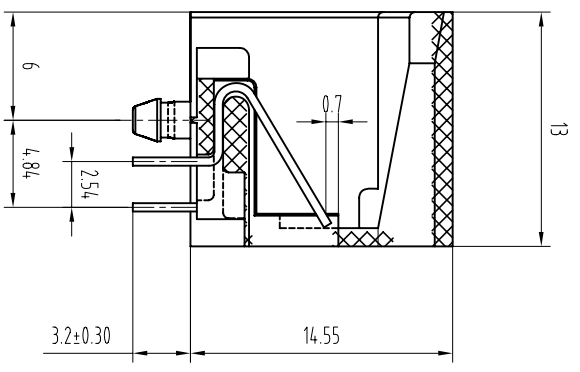
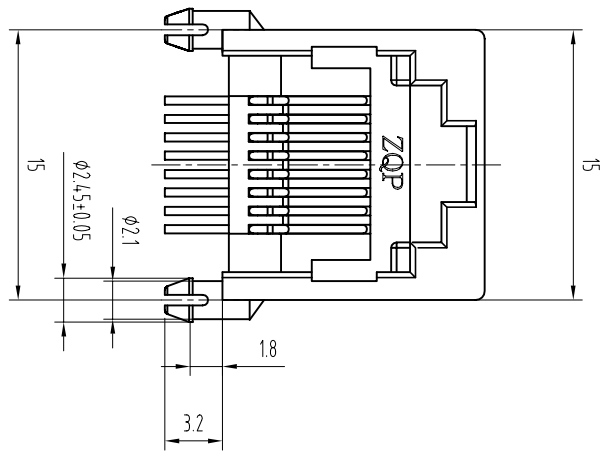
- 1.VOLTAGE RATING :125 VAC RMS.
- 2.CURRENT RATING :15 AMP.
- 3.CONTACT RESISTANCE :30 MILLIOHMS MAX.
- 4.INSULATION RESISTANCE :500 MEGOHMS MIN @ 500V DC.
- 5.DIELECTRIC STRENGTH :1000V AC RMS 50HZ 1MIN.

MECHANICAL:

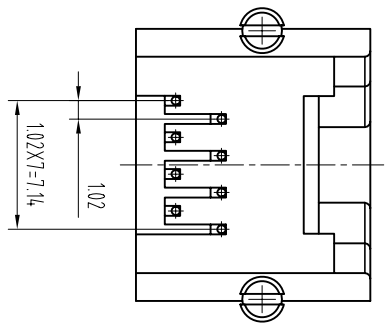
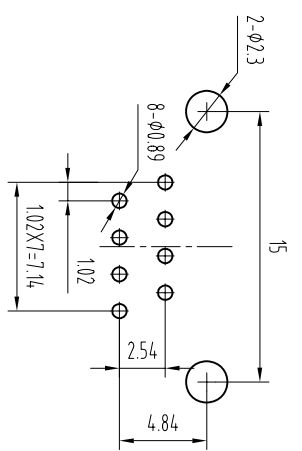
- 1.HOUSING MATERIAL :GLASS FILLED POLYESTER UL94V-0.
- 2.CONTACT MATERIAL :PHOSPHOR BRONZE $\phi 0.45$ mm ROUND PIN.
- 3.PLATING :GOLD PLATING OVER NICKEL.
- 4.OPERATING :750 CYCLES MIN.
- 5.PCB RETENTION PRE-SOLDER :1 LB MIN.

ENVIRONMENTAL:

- 1.Temperature Range : -40 $^{\circ}$ ~+85 $^{\circ}$
- 2.Relative Humidity : 90~95% (40 \pm 2 $^{\circ}$)

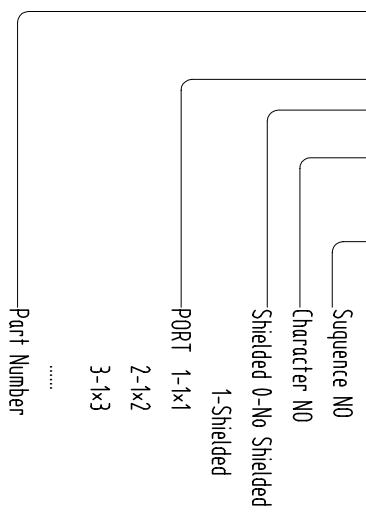


PCB LAYOUT



PART NUMBER:

DY9755 - 1 0 3 8 - X X X



DETACHED LISTS																																	
 THIRD ANGLE PROJECTION	<table border="1"> <tr> <td>DATE</td> <td>08.7.1</td> </tr> <tr> <td>CHKD</td> <td>BETTY</td> </tr> <tr> <td>DATE</td> <td>08.7.1</td> </tr> <tr> <td>APPL</td> <td>PAUL</td> </tr> <tr> <td>DATE</td> <td>08.7.1</td> </tr> </table>	DATE	08.7.1	CHKD	BETTY	DATE	08.7.1	APPL	PAUL	DATE	08.7.1	<table border="1"> <tr> <td>DATE</td> <td>08.7.1</td> </tr> <tr> <td>CHKD</td> <td>BETTY</td> </tr> <tr> <td>DATE</td> <td>08.7.1</td> </tr> <tr> <td>APPL</td> <td>PAUL</td> </tr> <tr> <td>DATE</td> <td>08.7.1</td> </tr> </table>	DATE	08.7.1	CHKD	BETTY	DATE	08.7.1	APPL	PAUL	DATE	08.7.1	<table border="1"> <tr> <td>DATE</td> <td>08.7.1</td> </tr> <tr> <td>CHKD</td> <td>BETTY</td> </tr> <tr> <td>DATE</td> <td>08.7.1</td> </tr> <tr> <td>APPL</td> <td>PAUL</td> </tr> <tr> <td>DATE</td> <td>08.7.1</td> </tr> </table>	DATE	08.7.1	CHKD	BETTY	DATE	08.7.1	APPL	PAUL	DATE	08.7.1
DATE	08.7.1																																
CHKD	BETTY																																
DATE	08.7.1																																
APPL	PAUL																																
DATE	08.7.1																																
DATE	08.7.1																																
CHKD	BETTY																																
DATE	08.7.1																																
APPL	PAUL																																
DATE	08.7.1																																
DATE	08.7.1																																
CHKD	BETTY																																
DATE	08.7.1																																
APPL	PAUL																																
DATE	08.7.1																																
<table border="1"> <tr> <td>FINISH</td> <td>:</td> </tr> <tr> <td>SCALE</td> <td>: 1:1</td> </tr> </table>	FINISH	:	SCALE	: 1:1	<table border="1"> <tr> <td>QTY</td> <td>:</td> </tr> <tr> <td>MATERIAL</td> <td>:</td> </tr> </table>	QTY	:	MATERIAL	:	<table border="1"> <tr> <td>ANGLE 3</td> <td>:</td> </tr> <tr> <td>ANGLE 4</td> <td>:</td> </tr> <tr> <td>ANGLE 5</td> <td>:</td> </tr> </table>	ANGLE 3	:	ANGLE 4	:	ANGLE 5	:	<table border="1"> <tr> <td>THICKNESS EXCEPT AS NOTED</td> <td>:</td> </tr> <tr> <td>MM</td> <td>:</td> </tr> <tr> <td>MM</td> <td>:</td> </tr> <tr> <td>MM</td> <td>:</td> </tr> </table>	THICKNESS EXCEPT AS NOTED	:	MM	:	MM	:	MM	:								
FINISH	:																																
SCALE	: 1:1																																
QTY	:																																
MATERIAL	:																																
ANGLE 3	:																																
ANGLE 4	:																																
ANGLE 5	:																																
THICKNESS EXCEPT AS NOTED	:																																
MM	:																																
MM	:																																
MM	:																																
<p>浙江多元电子有限公司 DUOYUAN ELECTRONICS CO., LTD</p>		<p>8P8C SIDE ENTRY PCB JACK WITHOUT SHIELDED</p>																															
<p>DO NOT SCALE DRAWING</p>		<p>SIZE</p>	<p>REV</p>																														
<p>SCALE: 1:1</p>		<p>AA</p>	<p>A/0</p>																														
<p>SHEET 1</p>		<p>OF 1</p>	<p>1</p>																														