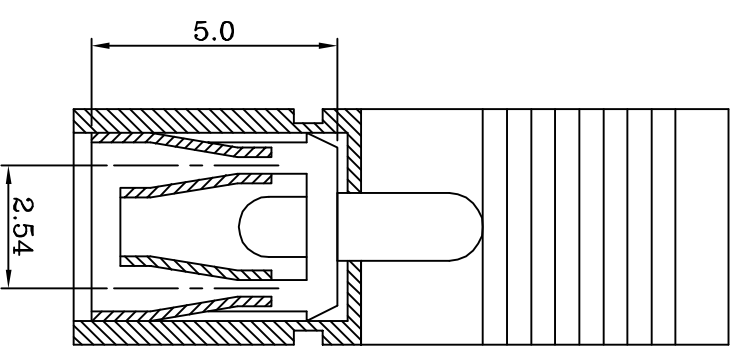
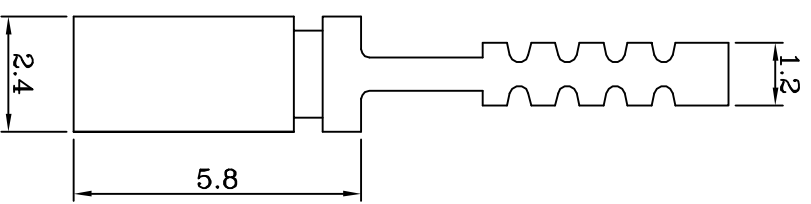
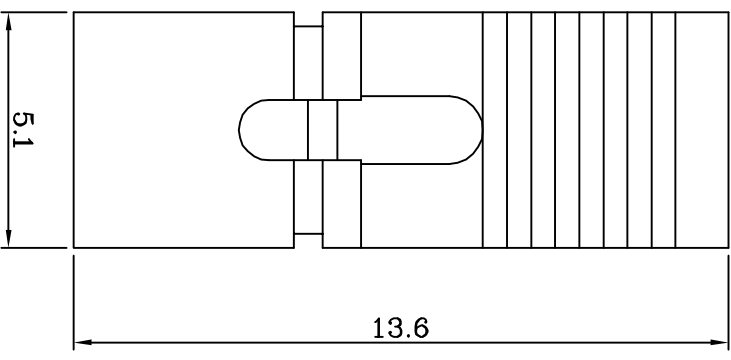


12 11 10 9 8 7 6 5 4 3 2 1



MATERIAL:
 INSULATOR: NYLON 66 94V-0 (BLACK)
 CONTACT: BRASS (GOLD-FLASH)

MATERIAL:			
FINISH(COLOR):			
FILE NAME:			
SCALE	6 : 1	SHEET	1 OF 1
DRAWN BY:	Mag 14/MAY/04	UNIT	mm
APPROVED BY:		REV.	A
GENERAL TOLERANCE:		DRAW NO. F801102	
ANGLE:	±3°	TITLE:	
DIM:	±0.5	2.54mm PITCH	
	x.x	MINI JUMPER	
	x.xxx		
	x.xxx		

THIS DRAWING CONTAINS INFORMATION THAT IS PROPRIETARY TO LANDWIN ELECTRONIC CORP. SHOULD NOT BE USED WITHOUT WRITTEN PERMISSION.