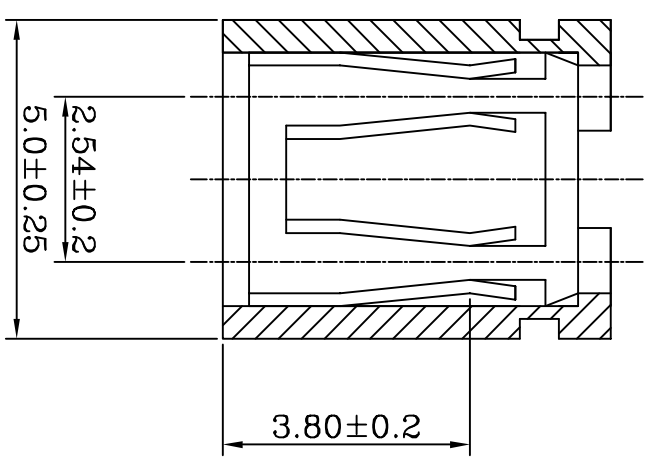
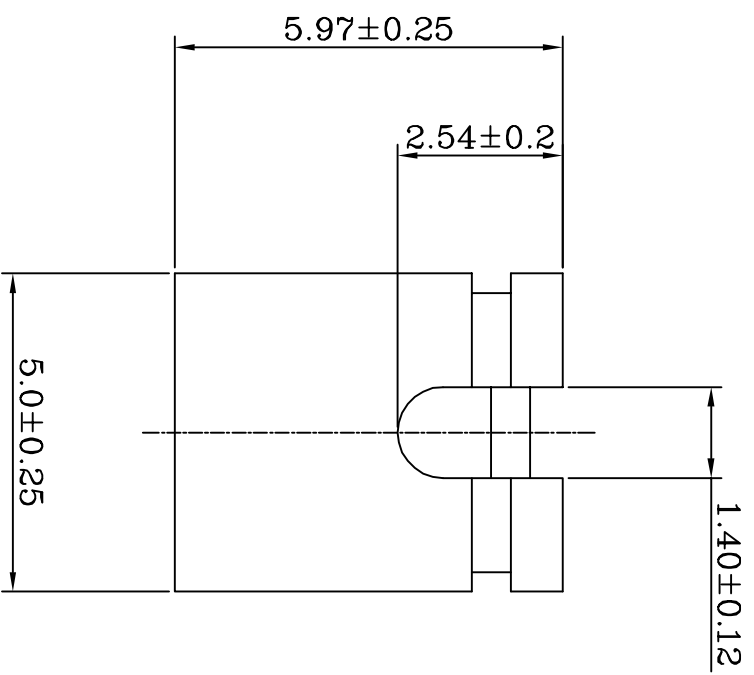


12 11 10 9 8 7 6 5 4 3 2 1



MATERIAL :  
INSULATOR : GLASS FILLED P.B.T. 94V-0  
CONTACT : PHOSPHOR BRONZE, GOLD-PLATED

SPECIFICATIONS :  
CURRENT RATING : 3 AMPERES MAX  
CONTACT RESISTANCE : 20 MIOHMS MAX  
INSULATION RESISTANCE : 100 MEGAOHMS MIN.  
DIELECTRIC WITHSTANDING VOLTAGE : AC 650 VOLTS RMS

THIS DRAWING CONTAINS INFORMATION THAT IS PROPRIETARY TO LANDWIN ELECTRONIC CORP. SHOULD NOT BE USED WITHOUT WRITTEN PERMISSION.

MATERIAL:			
FINISH(COLOR):			
FILE NAME: D/GRACE/DWG/F/F800102			
SCALE	FREE	SHEET	1 OF 1
DRAWN BY: <i>Mag</i>	2009/1/16	UNIT	mm
APPROVED BY:		REV.	A
GENERAL TOLERANCE:		DRAW NO.	F800102
ANGLE: ±3°	DIM: x ±0.05 xx ±0.12 xxx ±0.08 xxxx ±0.08	TITLE:	2.54mm PITCH MINI JUMPER
REV	NEW RELEASE	ECN NO.	2009/1/16
REV	REVISION RECORD	ECN NO.	DATE

**LANDWIN** 聯盈電子股份有限公司  
LANDWIN ELECTRONIC CORP.