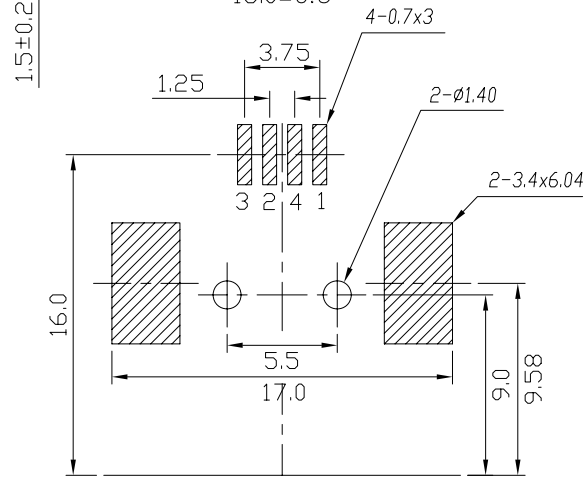
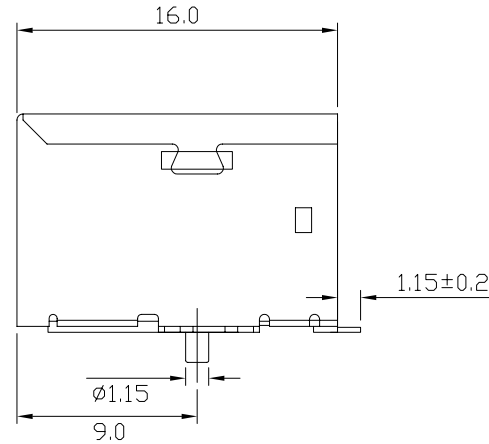
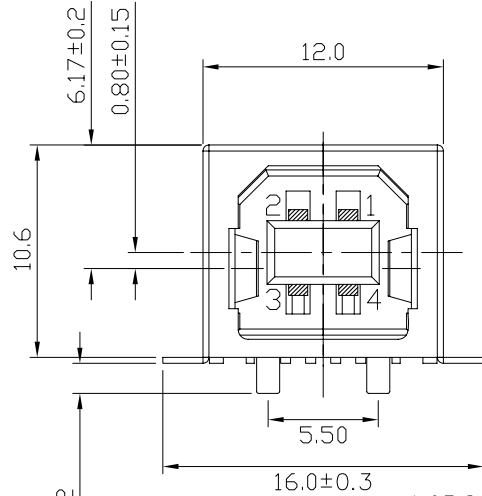


THE INFORMATION CONTAINED IN THIS DOCUMENT IS PROPRIETARY TO Y-S ELECTRONIC, ANY REPRODUCTION IN PART OR WHOLE WITHOUT PRIOR WRITTEN APPROVAL OR AUTHORIZATION OF Y-S ELECTRONIC IS STRICTLY PROHIBITED.

RoHS COMPLIANT

REVISIONS				
REV	ECN NO.	DESCRIPTION	APPROVED BY	DATE
A			MICHAEL HUANG	2008-11-21



PCB EDGE
PCB LAYOUT
(COMPONENT SIDE)

Specification:
Contact Resistance: 30m Ohm Max.
Insulation Resistance: 1000M Ohm Min. At 500VDC.
Rated Voltage And Current: 1.5A At 250VAC Minimum.
Dielectric Withstanding Voltage:
 750V AC (rms) for 1 Minute(Rev. 2.0)
Durability (Life Test): 1500 Cycles
Insertion Force: 35 Newton Maximum.
Extraction Force: 10 Newton Minimum.

Ordering Information

186e - $\frac{XX}{a} \frac{X}{b} \frac{X}{c} \frac{X}{d} \frac{X}{e}$

- a. No. Of Pins
04: 4 positions
- b. Contact Type
1: Male
2: Female (Standard)
- c. Contact Plating
0: Gold flash selective gold
1: 5u" selective gold over 50u" nickel
2: 15u" selective gold over 50u" nickel
3: 30u" selective gold over 50u" nickel
- d. Shell Plating
1: Nickel
2: Tin
- e. Insulator Color
1: Black
2: Beige
3: Black high temperature
4: White
5: White high temperature

DO NOT SCALE DRAWING

NAME	MATERIAL	FINISH	Q'TY	REMARK
HOUSING	PBT G.F.	WHITE	1	
TERMINAL	PHOS. BRONZE T:0.25	GOLD/TIN PLATED	4	Gold:1u"; NI:40~60u"; TIN:100u" (100% pure Tin of lead free plating)
SHELL	BRASS T:0.3	NICKEL PLATED	1	NICKEL:80~120u"

DIMENSIONS: <input type="checkbox"/> mm [INCH] <input type="checkbox"/> INCH [mm] <input checked="" type="checkbox"/> mm ONLY		CAD GENERATED DRAWING, DO NOT MANUALLY UPDATE		Y-S ELECTRONIC CO., LTD. No. 101, Sec. 1, Long-An Street, Lu-Chu, Taoyuan, Taiwan, R.O.C. TEL: +886-3-3609819 FAX: +886-3-3609817	
UNLESS OTHERWISE SPECIFIED, GENERAL TOLERANCE: DECIMALS ANGLES X. ±0.38 [0.015] X° ±3° .X ±0.25 [0.010] .X° ±1.0° .XX ±0.13 [0.005]		CHECKED BY AND DATE JUSTIN XING 09-11-08			
MATERIAL		APPROVED BY AND DATE MICHAEL HUANG 09-11-08		DRAWING NO. 186e-042014	
FINISH		THIRD ANGLE PROJECTION 		REV A	
SCALE: NONE		SIZE: A3		FILE NO.: SHEET 1 OF 1	